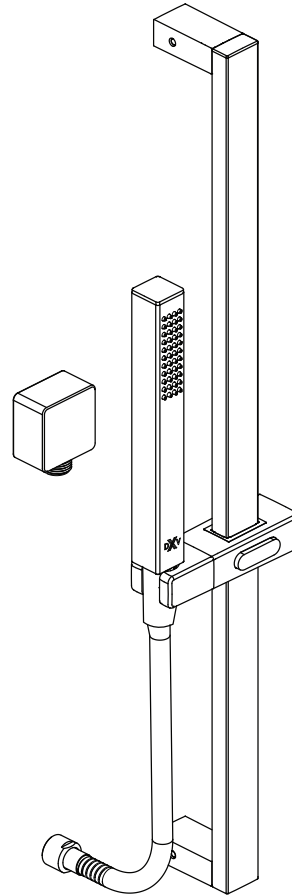


# INSTALLATION INSTRUCTIONS



## Square Slide Bar with Hand Shower Model D3570043C

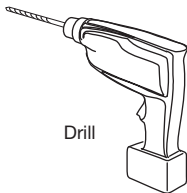
Thank you for selecting DXV. To ensure that your installation proceeds smoothly, please read these instructions carefully before you begin.



S A V E F O R F U T U R E U S E

### RECOMMENDED TOOLS AND MATERIALS

Most of the procedures require the use of common tools and materials, which are available from hardware and plumbing supply stores. It is essential that the tools and materials be on hand before work is begun.



Drill



Phillips Screwdriver



Flat Blade Screwdriver



Hammer



Level



Tape Measure

#### **In the United States:**

DXV  
One Centennial Avenue  
Piscataway, New Jersey 08855  
Attention: Director of Customer Care

For residents of the United States, warranty information may also be obtained by calling the following toll free number: (800) 227-2734  
[www.DXV.com](http://www.DXV.com)

#### **In Canada:**

DXV  
5900 Avebury Road  
Mississauga, Ontario  
L5R 3M3  
Canada

Toll Free: 1-800-387-0369  
Local: 905-306-1093  
Fax: 1-800-395-1498  
[www.DXV.ca](http://www.DXV.ca)

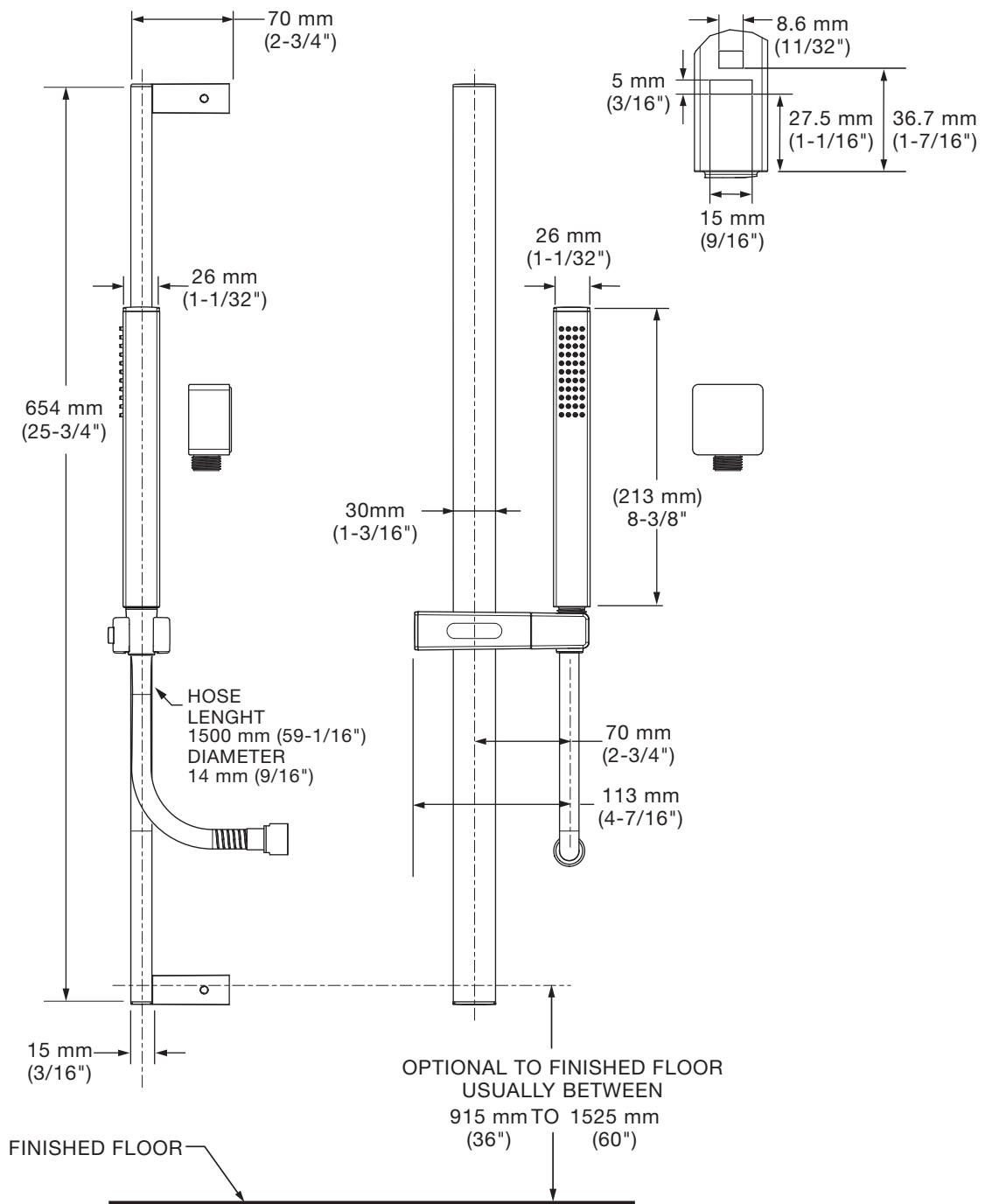
#### **In Mexico:**

DXV  
Via Morelos 330  
Col. Santa Clara Coatitla  
Ecatepec, Estado de México 55540

Toll Free: 01-800-8391200  
[www.DXV.mx](http://www.DXV.mx)

**ROUGHING-IN DIMENSIONS:**

- For reference

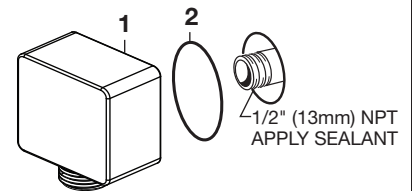


**\*FROM CENTER TO CENTER OF MOUNTING BRACKETS**  
**\*NOTE: MEASUREMENT IS APPROXIMATE ONLY, PLEASE USE BAR AS TEMPLATE FOR ACTUAL CENTER TO CENTER MEASUREMENTS.**

## 1 INSTALL WALL SUPPLY

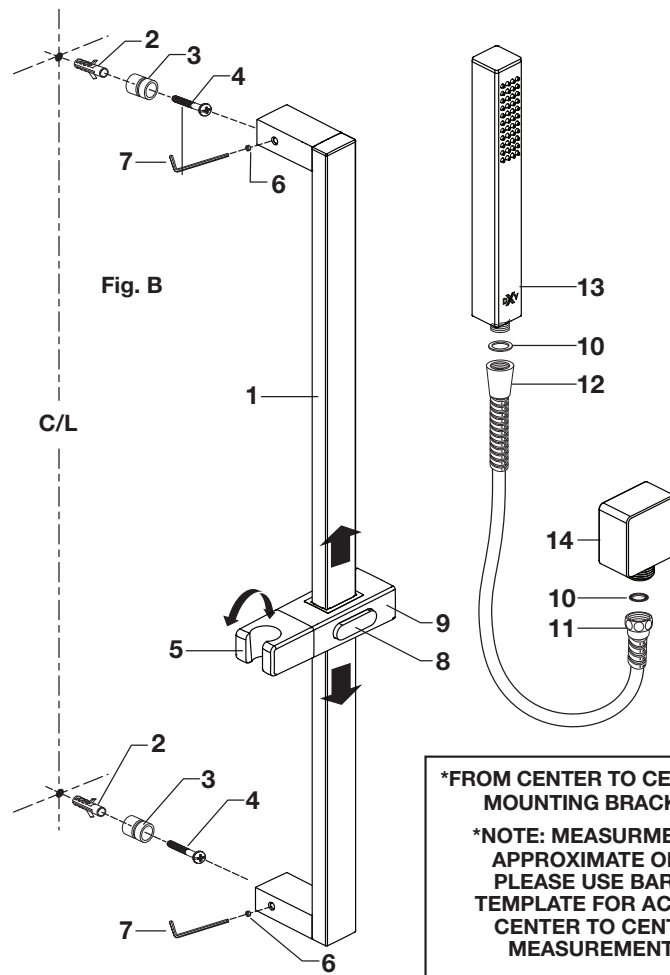
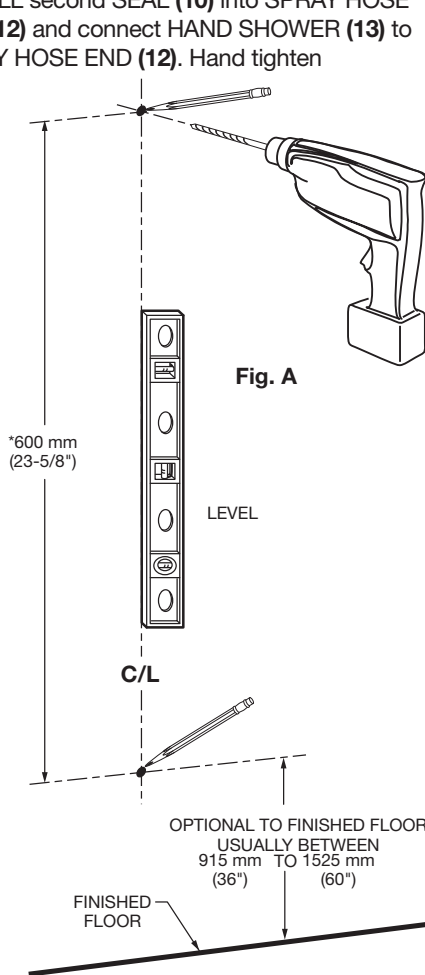
**CAUTION** Turn off hot and cold water supplies before beginning.

- Supply to WALL SUPPLY (1) is 1/2" (13 mm) NPT. See rough-in drawing for detailed information.
- Install O-RING (2) onto WALL SUPPLY (1).
- Apply sealant or teflon tape to threads of 1/2" (13 mm) NPT supply nipple. Thread WALL SUPPLY (1) onto supply nipple making a water tight seal. WALL SUPPLY (1) with O-RING (2) should be tight against finished wall.



## 2 INSTALL ADJUSTABLE SLIDE BAR

- The SLIDE BAR (1) works best when secured to the wall studs or cross brace using the WOOD SCREWS. If mounting into the studs is not possible, use appropriate wall fasteners provided to secure the installation.
- Mark a vertical center line in the location you wish to install the SLIDE BAR (1).  
**NOTE: The height from the finished floor is optional. See rough-in drawing for suggested dimensions.**
- Determine desired height from the finished floor to the lower support and mark a horizontal center line. Measure up \*600mm (23-5/8") and mark another horizontal center line. This is the location of the two mounting holes.
- Using 15/64" diameter drill. Drill two mounting holes 1-1/4" max. deep. **Fig. A.**
- Install the two ANCHORS (2) provided into the mounting holes. Use a hammer to lightly tap ANCHORS (2) into place. Make sure they are installed flush against the finished wall. **Fig. B.**
- Place the MOUNTING BRACKETS (3) over the ANCHORS (2) and secure the MOUNTING BRACKETS (3) with the SCREWS (4) provided. **Fig. B.**
- Align and install the SLIDE BAR (1) onto the MOUNTING BRACKETS (3). **Fig. B.**
- Hold SLIDE BAR (1) against finished wall. Tighten the two SET SCREWS (6) with the HEX WRENCH (7) supplied. **Fig. B.**
- Check operation of HAND SHOWER HOLDER (9) by pressing BUTTON (8) and moving HAND SHOWER HOLDER (9) up and down. Rotate BUTTON (8) back to lock HAND SHOWER HOLDER (9). **Fig. B.** Rotate SHOWER HOLDER (5) to desired position. **Fig. B.**
- Install SEAL (10) into COUPLING NUT (11). Connect COUPLING NUT (11) to WALL SUPPLY NIPPLE (14) and tighten.
- INSTALL second SEAL (10) into SPRAY HOSE END (12) and connect HAND SHOWER (13) to SPRAY HOSE END (12). Hand tighten



**\*FROM CENTER TO CENTER OF MOUNTING BRACKETS**  
**\*NOTE: MEASUREMENT IS APPROXIMATE ONLY, PLEASE USE BAR AS TEMPLATE FOR ACTUAL CENTER TO CENTER MEASUREMENTS.**

### 3 TEST INSTALLED HAND SHOWER

- Remove Hand Shower from the hose. Turn water supplies on to flush water lines thoroughly.
- Turn handles "off" and replace HAND SHOWER.



## Square Slide Bar with Hand Shower

MODEL NUMBER

**D3570043C**

Replace the "YYY" with  
appropriate finish code

POLISHED CHROME	100
BRUSHED NICKEL	144
MATTE BLACK	243

