

INSTALLATION INSTRUCTIONS



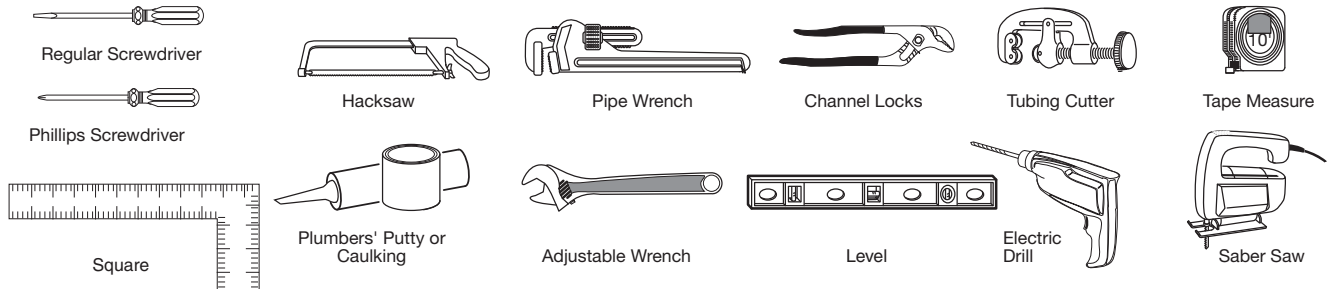
Seagram® Wall Mount, Pedestal and Above Counter Lavatories

Thank you for selecting DXV. To ensure this product is installed properly, please read these instructions carefully before you begin. (Certain installations may require professional help.) Also be sure your installation conforms to local codes.

▲ CAUTION: PRODUCT IS FRAGILE. TO AVOID BREAKAGE AND POSSIBLE INJURY HANDLE WITH CARE!
NOTE: Pictures may not exactly define contour of china and components.

RECOMMENDED TOOLS AND MATERIALS

Most of the procedures require the use of common tools and materials, which are available from hardware and plumbing supply stores. It is essential that the tools and materials be on hand before work is begun.



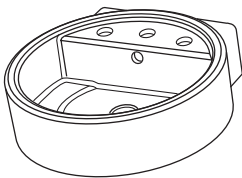
REPLACEMENT USE

When replacing an original unit, be certain to shut-off water supplies before removing the unit or disconnecting water supply lines and drain fittings. Original supply lines and shut-off valves should be replaced and used with fittings and adapters to match the hookups on the replacement unit.

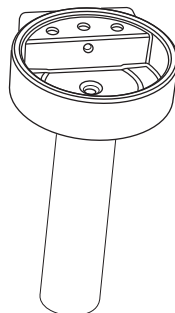
▲ USE TEFLON SEALANT TAPE ON PIPE THREADS FOR WATERTIGHT CONNECTIONS!

Three different installations are possible with these lavatories; check options for each lavatory on the table

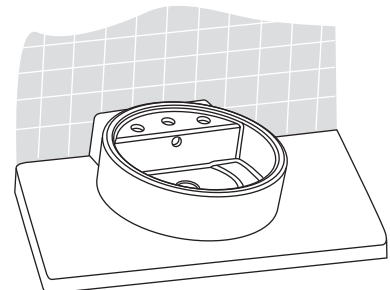
A. WALL-HUNG (optional furniture available on some models)



B. PEDESTAL



C. ABOVE COUNTER

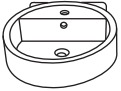
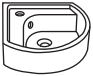
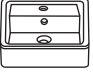
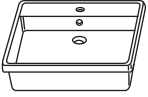
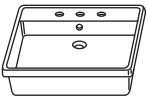

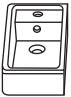


S
A
V
E

F
O
R

F
U
T
U
R
E

U
S
E

Installations: WH=Wallhung; AC=Above Counter; PED=Pedestal	Installation Options	Combo	Lav #	Ped #	Mounting Kit #
 1 Hole Round Lavatory - CWH	WH or AC	—	D20035001	—	7301531-100.0070A
 Small Corner Basin - CWH	WH or AC	—	D20040001	—	7301531-100.0070A Hanger x 1: 047058.0070A
 Square Hand Basin - CWH	WH or AC	—	D20025001	—	7301531-100.0070A
 24" One Hole Basin - CWH	WH or AC	—	D20095001	—	7301531-100.0070A
 24" Three Hole Basin - CWH	WH or AC	—	D20095008	—	7301531-100.0070A
 Rectangle Right Hand Lavatory	WH or AC	—	D20126100	—	Hanger x 2: 047058-0070A
 Rectangle Left Hand Lavatory	WH or AC	—	D20125100	—	Hanger x 2: 047058-0070A
24" One Hole Basin & Square Pedestal	PED	D20095100	D20095001	D21025000	7301531-100.0070A
Round Lavatory - Single Hole & Round Pedestal - KIT	PED	D20035100	D20035001	D21020000	7301531-100.0070A
24" Three Hole Basin & Square Pedestal	PED	D20095800	D20095008	D21025000	7301531-100.0070A
Small Square Lavatory & Square Pedestal - KIT	PED	D20025100	D20025001	D21025000	7301531-100.0070A

INSTALLATION INSTRUCTIONS FOR A. WALL HUNG and B. ABOVE COUNTER INSTALLATIONS:

A1 WALL PREPARATION:

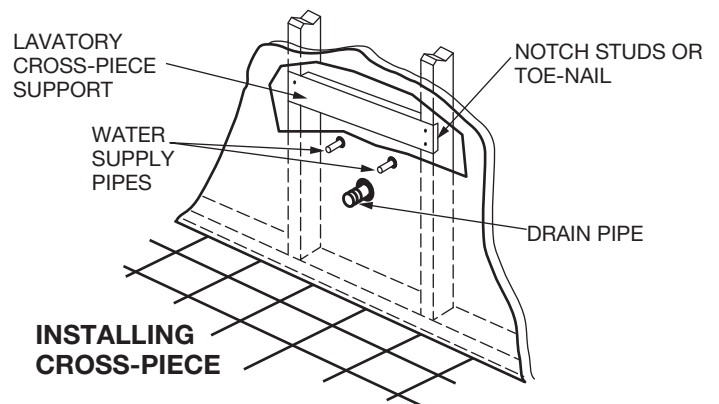
Typical installation includes wall preparation, installation of faucet and pop-up drain, supplies to house water system.

Lavatory Mounting Provisions - Whether the lavatory is used for replacement or new installation, the wall area behind the lavatory basin mounting holes must be reinforced to provide secure mounting for the new unit.

Preparing Wall for Lavatory Mounting

Optional: For non-masonry installation, crosspieces must be installed to reinforce the lavatory mounting surface to provide adequate support, install as described below.

1. Remove wallboard/covering from designated area.
2. Toenail 2"x 6" (51 x 152 mm) cross piece between studs (or notch studs to accept a 1" x 6" (25 x 152 mm) crosspiece, and attach securely). Place the lavatory into desired position and check height of mounting holes for dimensional location of horizontal crosspiece.
3. Replace wallboard/finished wall media.



A2 CAUTION: Lavatories are extremely heavy. For personal safety, always use extra person for installation.

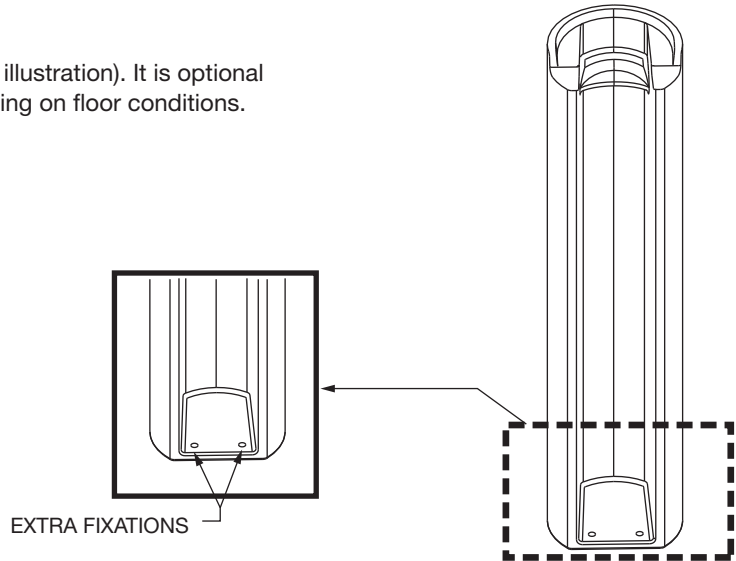
Using level, draw a vertical line on the wall starting at the waste return hole. Use the line as reference for placing the lavatory, and pedestal if pedestal installation, into position. Mark fixation locations through mounting holes on the back of lavatory. Remove lavatory and drill holes.

The mounting kit provided with lavatory includes two 3/8" headless wood screws, two washers and two nuts.

IMPORTANT NOTE: check and select best fixation method for your wall conditions. Screw anchor for masonry walls (not provided) or other kind of screws could be needed for installation on different walls.

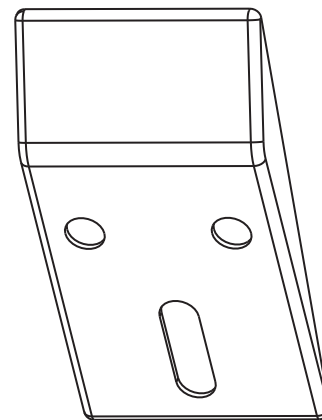
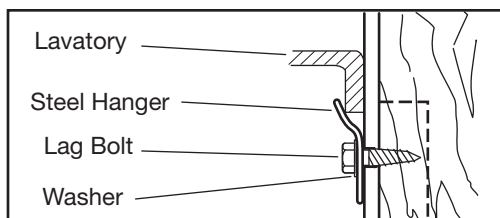
NOTE: OPTIONAL STEP FOR PEDESTAL

Pedestals have two additional fixations to floor (see illustration). It is optional to secure pedestal to floor. Select hardware depending on floor conditions.



NOTE: EXTRA STEP FOR LAVATORIES SUPPLIED WITH A STEEL HANGER

IMPORTANT: Final assembly of nut and washer or lag bolt method shown for reference only.



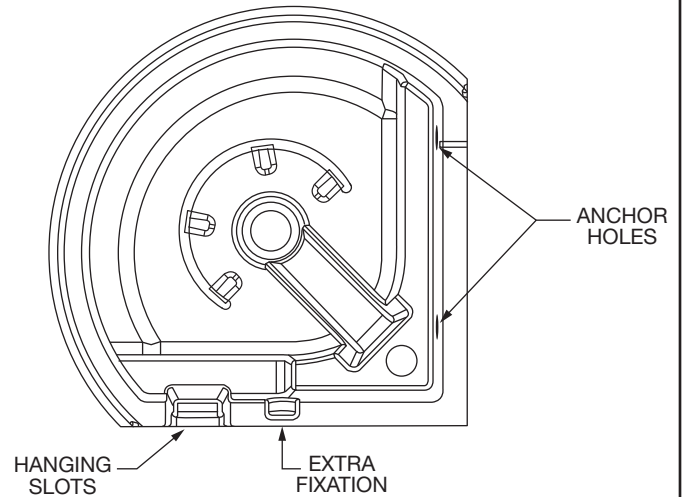
The CORNER lavatory is supplied with a mounting kit and one steel hanger. Follow the wall hung installation instructions to use the kit with the two large anchor holes.

Fixation method for the steel hangers must be selected depending on wall conditions (wood screws, masonry anchors,...) and are not provided.

Mark the location of fixations of the hanger on the wall when positioned as shown in illustration. Drill holes on the wall and secure hanger as illustrated.

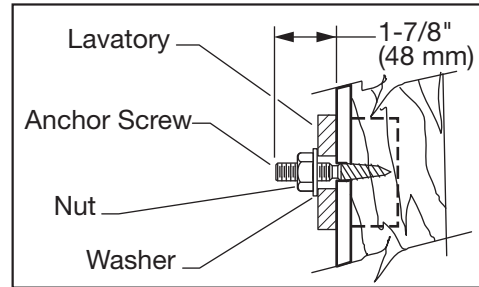
The extra fixation next to the hanging slot could be needed depending on wall conditions. You should use the extra fixation if corner is not perfectly right. Hardware for the extra fixation is not provided and must be selected depending on wall conditions.

BOTTOM VIEW OF CORNER LAVATORY



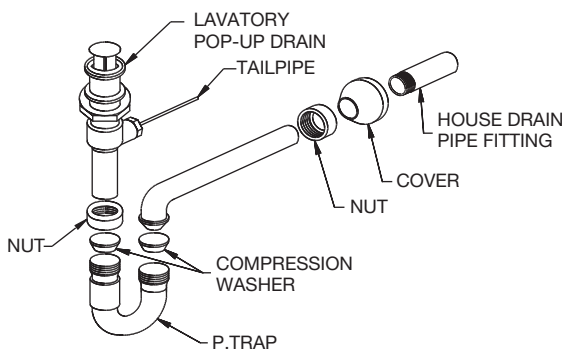
A3

Install lavatory anchor screws on the wall leaving 1-7/8" threaded end exposed as illustrated.



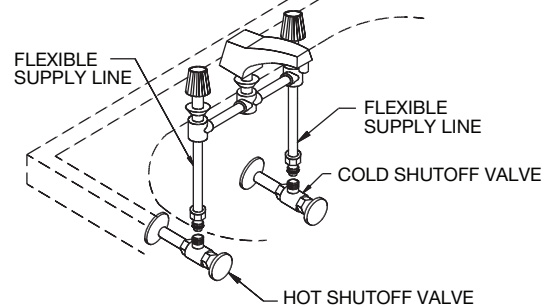
A4

Pre-assemble P-trap drain connections in accordance with manufacturer's instructions. Check that pop-up drain opens and closes properly when drain control is operated. Connect supply lines to shutoff valves and loosely install drain connections.



TYPICAL DRAIN CONNECTIONS

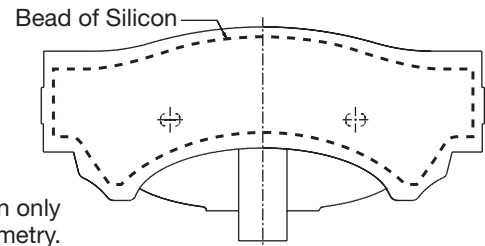
SPREAD LAVATORY SET TYPICAL APPLICATION



TYPICAL WATER SUPPLY LINE CONNECTIONS

A5

Apply a bead of silicon to the back of the lavatory. See diagram.



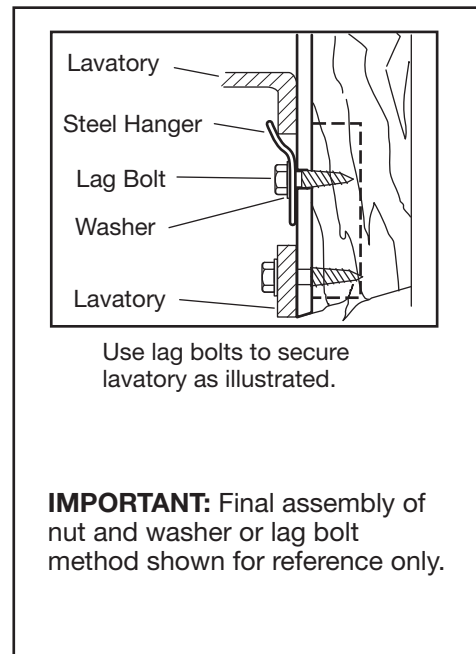
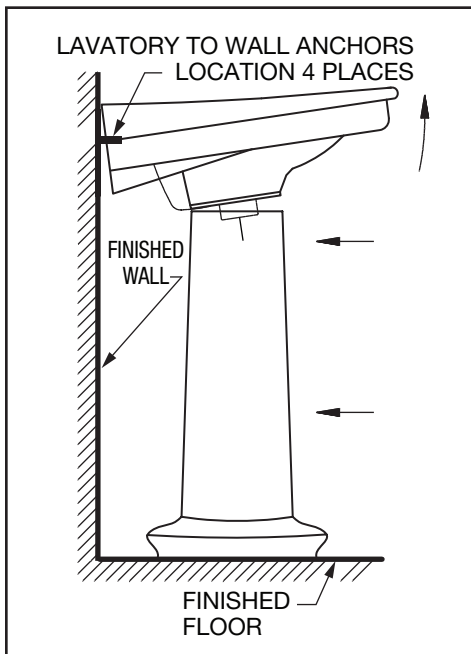
Geometry shown is for illustration only and may not match product geometry.

A6

Loosely attach the lavatory to the wall at the anchor locations. Optionally, place cushioned adhesive-backed or similar product on the top and bottom of the pedestal to avoid ceramic damage, floor damage and clattering between pedestal and lavatory.

DO NOT OVER-TIGHTEN MOUNTING HARDWARE OR LAVATORY MAY BE DAMAGED!

PEDESTALS INSTALLATION NOTE: Do not tighten nuts at this time, in order to allow the lavatory to swing up enough to permit the insertion of the pedestal. Insert the pedestal under the lavatory. Ensure that the lavatory sits evenly against pedestal. Level lavatory side to side and front to rear, (place cushioned adhesive [provided] under level to protect lavatory), then securely tighten mounting nuts. See Diagram Below.

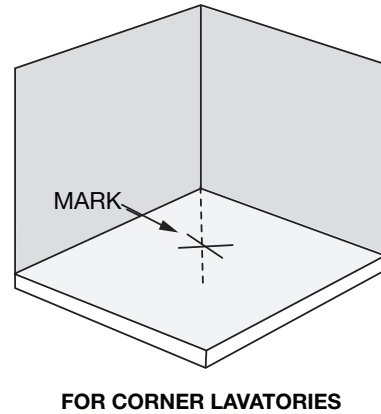
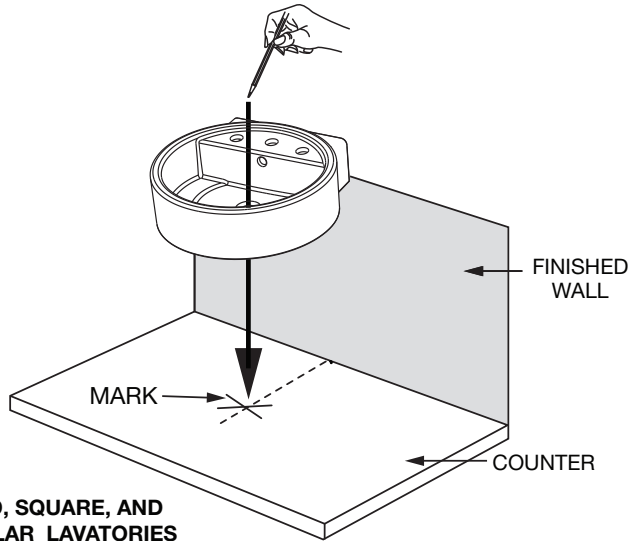


INSTRUCTIONS FOR B. ABOVE COUNTER INSTALLATIONS:

NOTE: BACK OF LAVATORIES ARE UNGLAZED. The Lavatories must be installed with back against the wall.

B1 INSTALLATION INSTRUCTIONS FOR ABOVE COUNTER INSTALLATIONS:

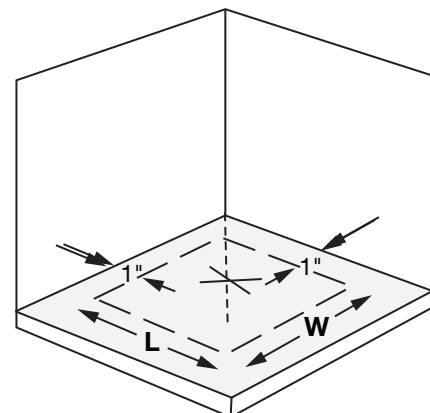
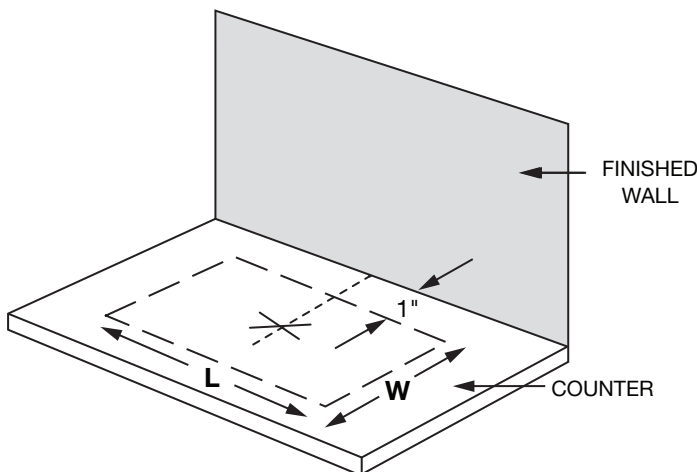
Position the lavatory in place on the counter with the back unglazed surface against the wall. Mark the center of the drain on the counter and draw a line from the mark to the wall (to the corner if installing a corner lavatory) as a guide for the installation.



B2 MARK COUNTER CUTOUT

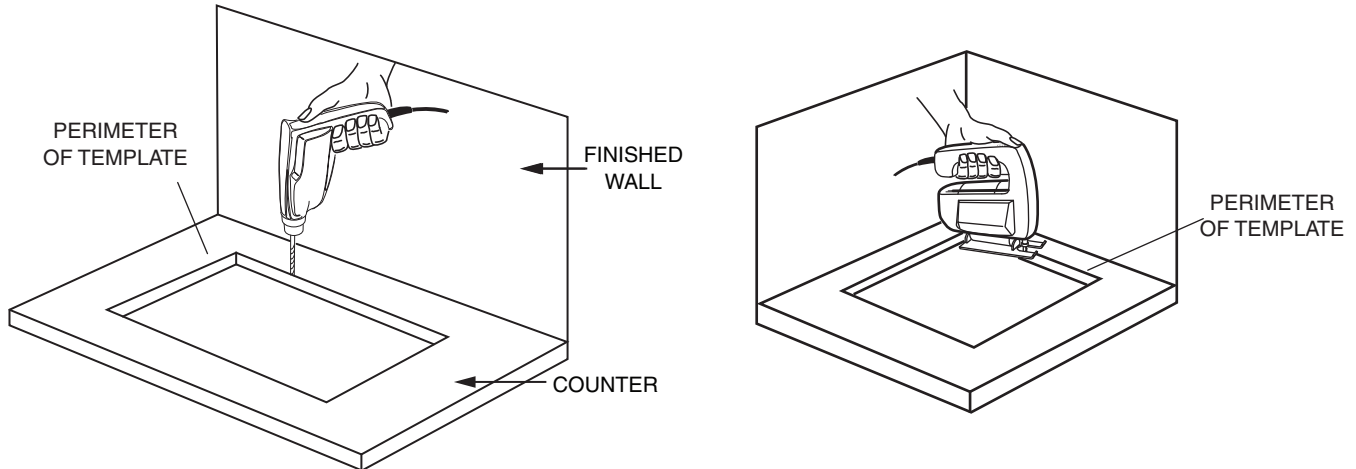
Mark perimeter of opening on counter 1" away from wall. Check table below for dimensions. Place lavatory in place and check that all perimeter is hidden under the lavatory. If visible, check again dimensions of the perimeter.

	Lavatory #	CUTOUT DIMENSIONS	
		L (side to side)	W (front to back)
Seagram® Round Lavatory	D20035	12" (300 mm)	14" (350 mm)
Seagram Small Corner Basin	D20040	10" (250 mm)	10" (250 mm)
Seagram Square Hand Basin	D20025	11" (275 mm)	11" (275 mm)
Seagram 24" Basin	D20095	20" (500 mm)	14" (350 mm)
Seagram™ Rectangle Right Hand/Left Hand Lavatory	D20125/D20126	13" (330 mm)	5-3/4" (146 mm)



B3

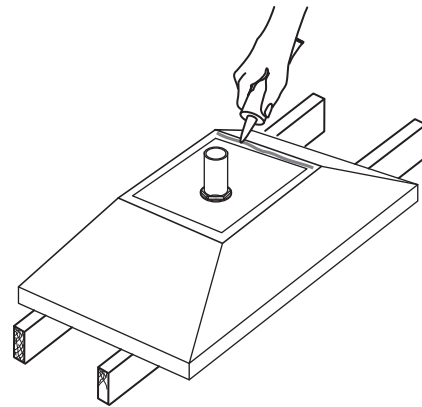
Drill a clearance hole inside the perimeter line. Cut opening around the perimeter of the template.

**B4**

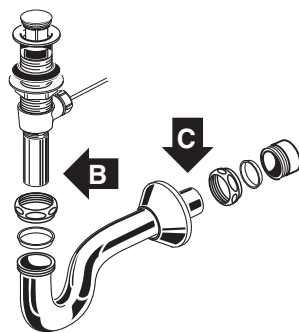
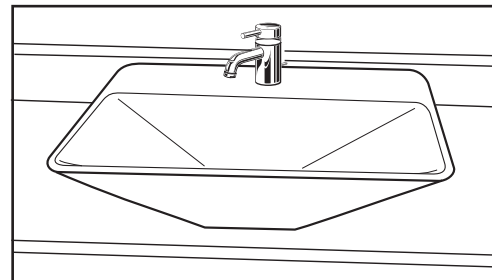
Mark and drill fixations of lavatory to wall. Follow steps of wall hung installation for preparing fixations of lavatory to wall/s.

B5

After checking fit and alignment, turn sink upside down and apply clear silicone adhesive around the under side of the rim near the edge. Place sink in position. Wipe off excess adhesive. Attach the lavatory to the wall at the anchor locations.

**B6**

Connect trap to drain assembly hand tight to check alignment. It may be necessary to cut off part of the tailpiece (area "B") or part of the horizontal leg of the trap (area "C"). Secure joints for watertight assembly.

**B7**

Seal gap between lavatory and wall with waterproof sealant.

In the United States:

DXV One Centennial Avenue
Piscataway, New Jersey 08855
Attention: Director of Customer Care

For residents of the United States, warranty information may also be obtained by calling the following toll free number: (800) 227-2734
www.DXV.com

In Canada:

DXV
5900 Avebury Road
Mississauga, Ontario
L5R 3M3
Canada

Toll Free: 1-800-387-0369
Local: 905-306-1093
Fax: 1-800-395-1498
www.DXV.ca

In Mexico:

DXV
Via Morelos 330
Col. Santa Clara Coatitla
Ecatepec, Estado de México 55540

Toll Free: 01-800-8391200
www.DXV.mx