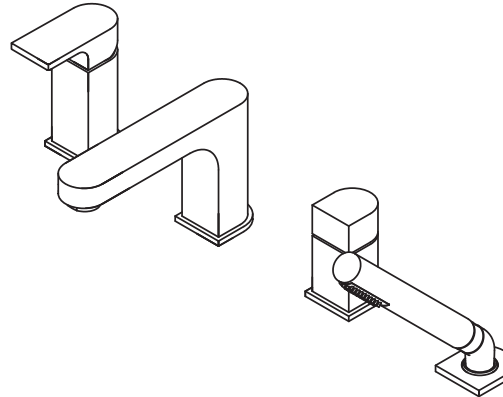


# INSTALLATION INSTRUCTIONS



## Equility™ (Formerly LYNDON®) Deck Mount Tub Filler with Hand Shower

Model D35109900



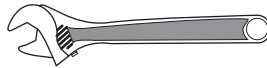
Thank you for selecting DXV. To ensure that your installation proceeds smoothly, please read these instructions carefully before you begin.

### RECOMMENDED TOOLS AND MATERIALS

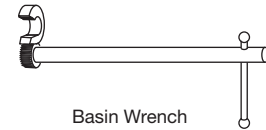
Most of the procedures require the use of common tools and materials, which are available from hardware and plumbing supply stores. It is essential that the tools and materials be on hand before work is begun.



Channel Locks



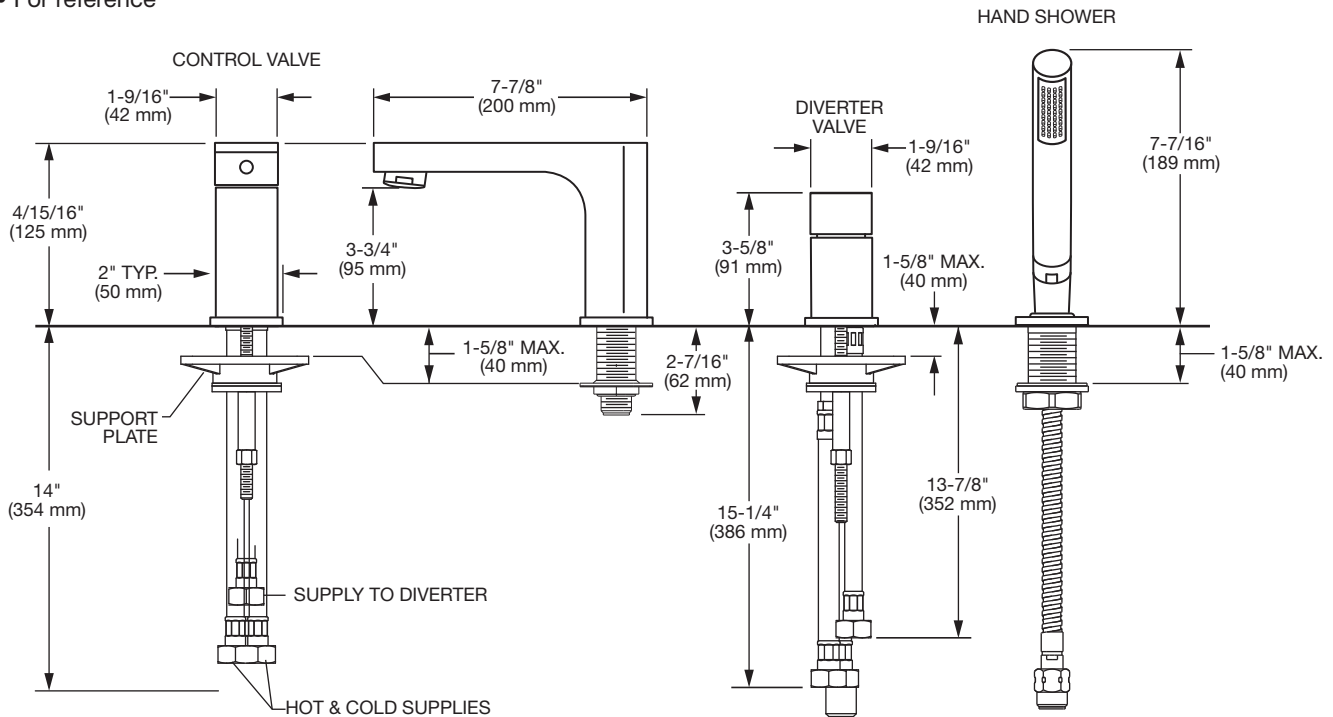
Adjustable Wrench



Basin Wrench

### ROUGHING-IN DIMENSIONS:

- For reference



#### In the United States:

DXV  
One Centennial Avenue  
Piscataway, New Jersey 08855  
Attention: Director of Customer Care

For residents of the United States, warranty information may also be obtained by calling the following toll free number: (800) 227-2734  
[www.DXV.com](http://www.DXV.com)

#### In Canada:

DXV  
5900 Avebury Road  
Mississauga, Ontario  
L5R 3M3  
Canada

Toll Free: 1-800-387-0369  
Local: 905-306-1093  
Fax: 1-800-395-1498  
[www.DXV.ca](http://www.DXV.ca)

#### In Mexico:

DXV  
Via Morelos 330  
Col. Santa Clara Coatitla  
Ecatepec, Estado de México 55540

Toll Free: 01-800-8391200  
[www.DXV.mx](http://www.DXV.mx)

SAVE FOR FUTURE USE

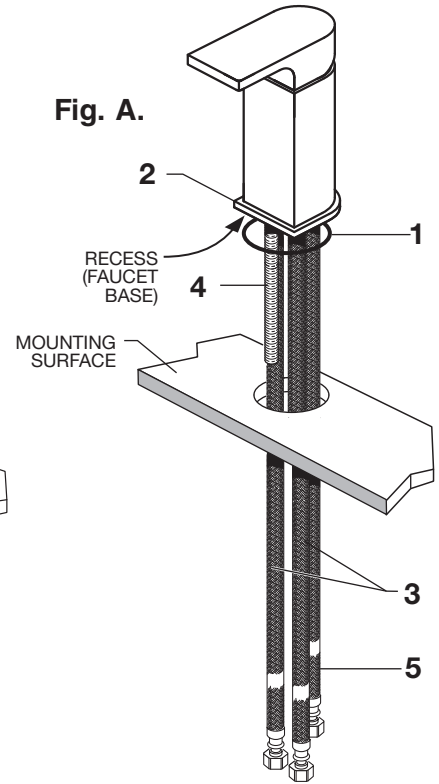
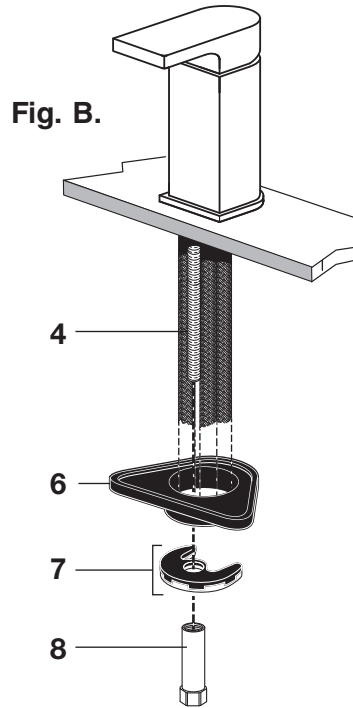
## 1 INSTALL CONTROL VALVE

**CAUTION** Turn off hot and cold water supplies before beginning.

### IMPORTANT NOTICE TO THE INSTALLER

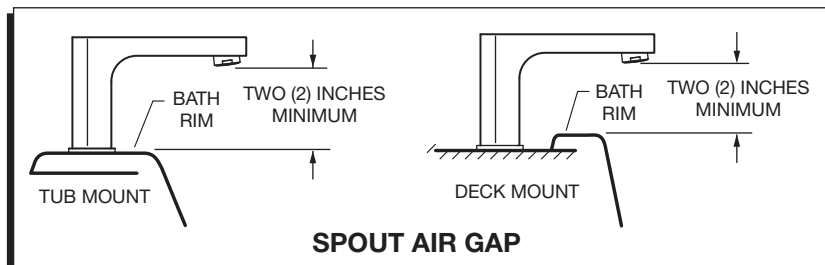
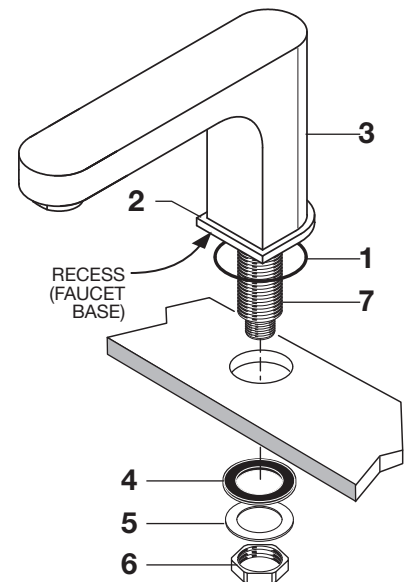
Please check with your local Code Authority for acceptable installation requirements for this Roman Tub set with hand shower. Some local codes may require a vacuum breaker and/or a pressure balanced mixing valve to be installed in conjunction with this product.

- Seat SEAL (1) into under side of FAUCET BASE (2). **Fig. A.**
- Feed FAUCET SUPPLIES (3), MOUNTING STUD (4) and DIVERTER HOSE (5) through the mounting hole. **Fig. A.**
- From below, install SUPPORT PLATE (6), GASKET with RETAINING WASHER (7) onto MOUNTING STUD (4). Install MOUNTING NUT (8) onto MOUNTING STUD (4). **Fig. B.**
- Adjust Faucet so that it is centered. Tighten MOUNTING NUT (8) to complete faucet mounting. **Fig. B.**



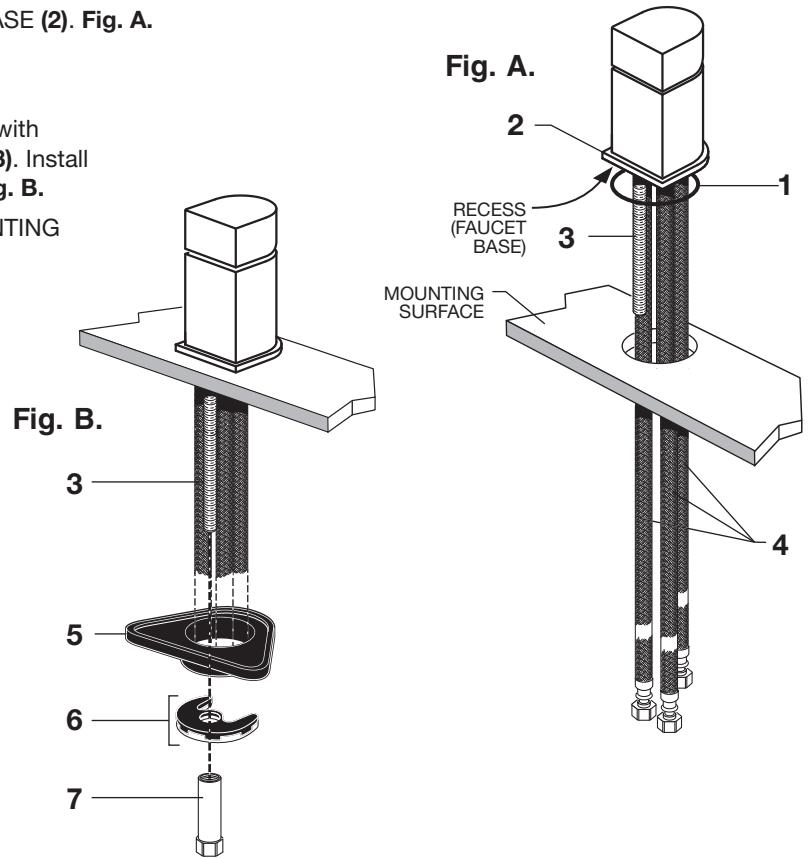
## 2 INSTALL SPOUT

- Seat SEAL (1) into under side of SPOUT BASE (2).
- Install SPOUT (3) into mounting hole.
- From below, install RUBBER GASKET (4) METAL WASHER (5) and MOUNTING NUT (6) onto SPOUT SHANK (7).
- Adjust SPOUT (3) so that it is centered. Tighten MOUNTING NUT (6) to complete spout mounting.



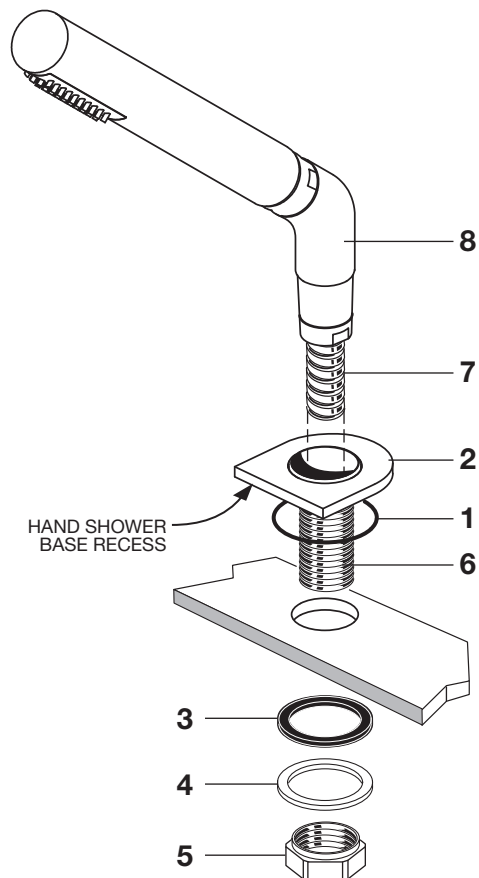
### 3 INSTALL CONTROL VALVE

- Seat SEAL (1) into under side recess in FAUCET BASE (2). **Fig. A.**
- Feed three HOSES (4), and MOUNTING STUD (3) through the mounting hole. **Fig. A.**
- From below, install SUPPORT PLATE (5), GASKET with RETAINING WASHER (6) onto MOUNTING STUD (3). Install MOUNTING NUT (7) onto MOUNTING STUD (3) **Fig. B.**
- Adjust diverter so that it is centered. Tighten MOUNTING NUT (7) to complete diverter mounting. **Fig. B.**



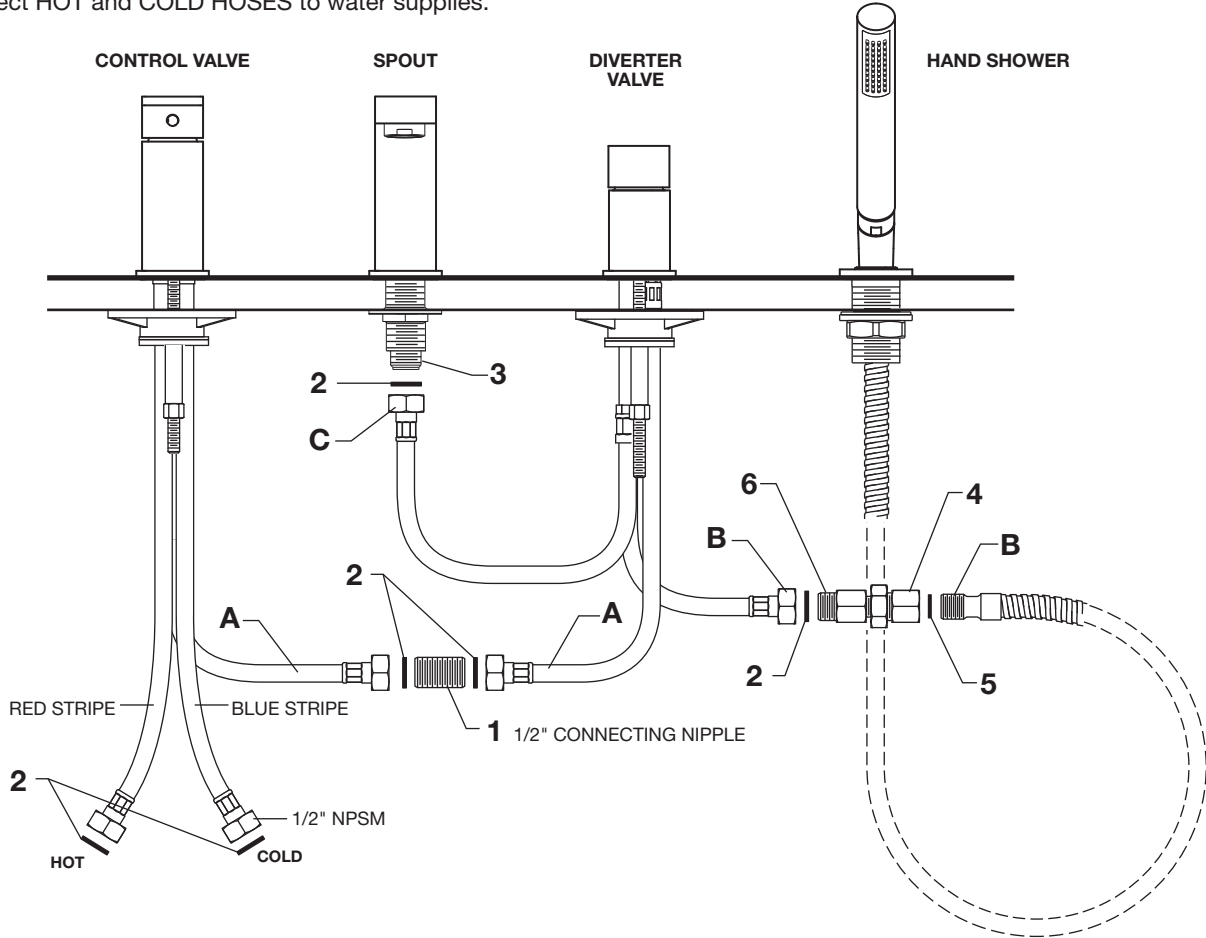
### 4 INSTALL HAND SHOWER

- Seat SEAL (1) into HAND SHOWER BASE (2) recess.
- Install HAND SHOWER HOLDER (2) into mounting hole.
- From below, install GASKET (3), METAL WASHER (4) and MOUNTING NUT (5) onto SHOWER HOLDER SHANK (6).
- Adjust HAND SHOWER HOLDER (2) so that it is centered. Tighten MOUNTING NUT (5) to complete holder mounting.
- Feed SHOWER HOSE (7) through HAND SHOWER HOLDER (2) and seat HAND SHOWER (8) into holder.



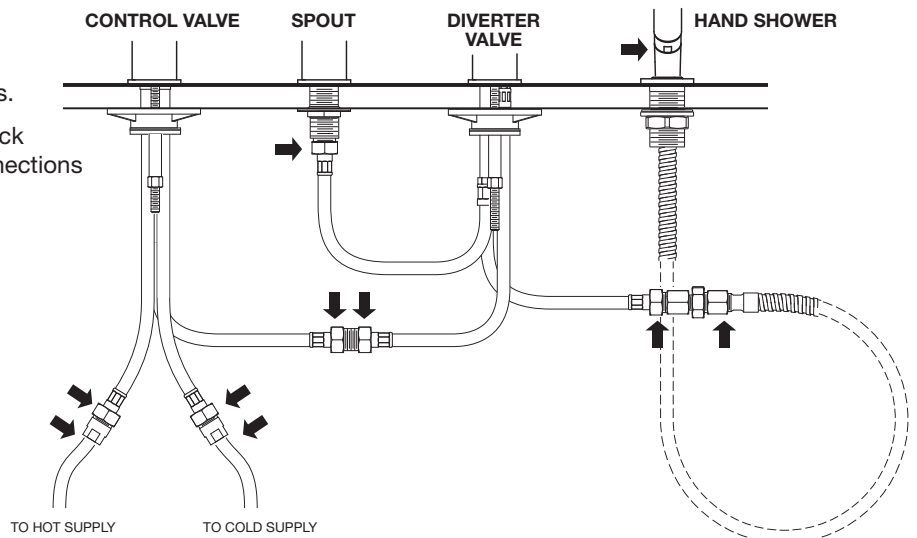
## 5 MAKE ALL HOSE CONNECTIONS

- Connect the CONTROL VALVE HOSE (A) and DIVERTER VALVE HOSE (A) to the 1/2" CONNECTING NIPPLE (1). Use FIBER SEAL WASHERS (2).
- Connect DIVERTER VALVE HOSE (C) to SPOUT CONNECTION (3). Use FIBER SEAL WASHER (2).
- Connect DIVERTER VALVE HOSE (B) to HAND SPRAY CONNECTOR (6). Use small FIBER SEAL WASHER (2).
- Connect HAND SHOWER (B) to HAND SPRAY CONNECTOR (4). Use FIBER SEAL WASHER (5).
- Connect HOT and COLD HOSES to water supplies.



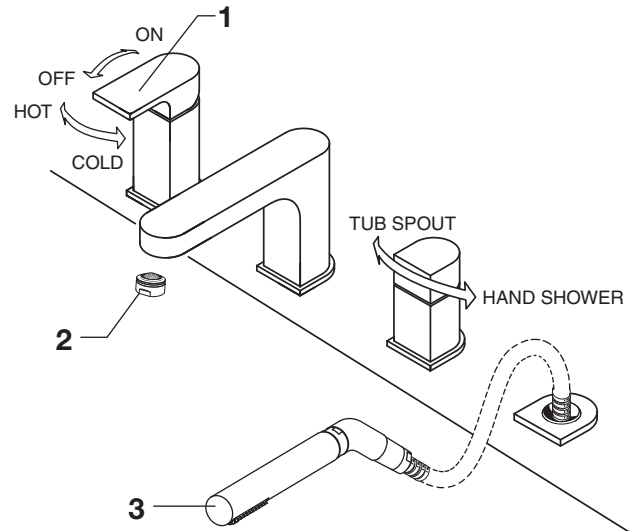
## 6 CHECK CONNECTIONS FOR LEAKS

- Move Handle down to "off" position.
- Turn on water supplies and check for leaks.
- Turn on control and diverter valve and check all connections for leaks. ➡ Tighten connections if needed.



## 7 TEST INSTALLED BATH FAUCET

- Move HANDLE (1) down into “off” position.
- Remove STREAM STRAIGHTENER (2).
- Turn DIVERTER VALVE to “Spout”. Operate HANDLE (1) up and down, in COLD and HOT positions, to flush water lines thoroughly.
- Replace AERATOR (2).
- Turn DIVERTER VALVE to “Hand Shower”. With HANDLE (1) down in “off” position, pull HAND SPRAY (3) from holder and direct SPRAY END (3) into bath. Operate HANDLE (1) up and down, in COLD and HOT positions to check SPRAY operation.



## 8 SERVICE

**CAUTION** Turn off hot and cold water supplies before beginning.

- To remove or replace cartridge: (Control and Diverter Valves)
  - Turn valve to OFF position.
  - Pull out PLUG BUTTON (1) and loosen HANDLE SCREW (2).
  - Pull off HANDLE (3).

– Unthread and remove CARTRIDGE NUT (4) with CARTRIDGE RING NUT KEY (7).

**For Polished Chrome**

– Pull CARTRIDGE COVER (10) off and unthread CARTRIDGE RING NUT (11). **For Brushed Nickel and Matte Black**

– Pull out CARTRIDGE (5).

– Inspect CARTRIDGE (5) and O-RINGS (6) for debris and clean if necessary.

– Clean MANIFOLD (8) and rinse clean.

– Reinstall CARTRIDGE (5) and O-RINGS (6) onto MANIFOLD (8).

– Reinstall CARTRIDGE NUT (4), CARTRIDGE RING NUT KEY (7) and HANDLE ASSEMBLY (3).

**For Polished Chrome**

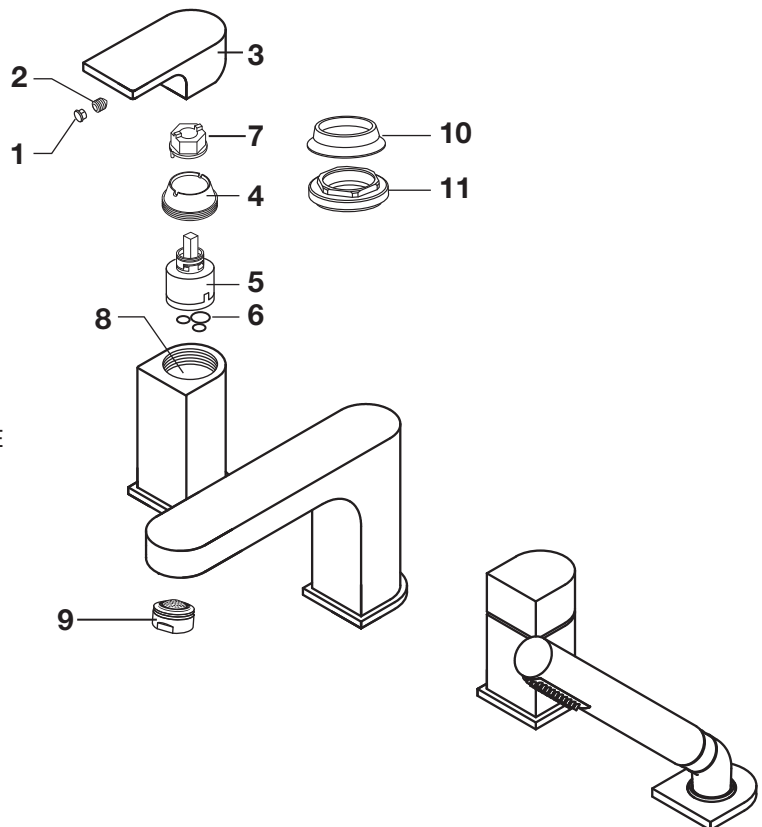
– Reinstall CARTRIDGE RING NUT (11), CARTRIDGE COVER (10) and HANDLE ASSEMBLY (3).

**For Brushed Nickel and Matte Black**

- If spout drips, operate handle several times from OFF to ON and HOT to COLD position. Do not force handle.

### Low water flow from faucet:

- Remove STREAM STRAIGHTENER (9) and clean if necessary.





# Equity™

(Formerly LYNDON®)

## Deck Mount Tub Filler with Hand Shower

MODEL NUMBER

**D35109900**

Replace the "YYY" with  
appropriate finish code

POLISHED CHROME	100
BRUSHED NICKEL	144
MATTE BLACK	243

