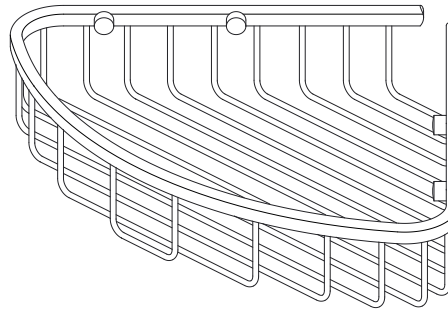


INSTALLATION INSTRUCTIONS



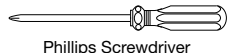
Corner Basket Model D35709080



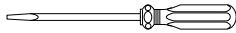
Thank you for selecting DXV. To ensure that your installation proceeds smoothly, please read these instructions carefully before you begin.

RECOMMENDED TOOLS AND MATERIALS

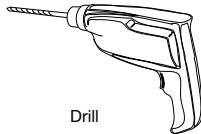
Most of the procedures require the use of common tools and materials, which are available from hardware and plumbing supply stores. It is essential that the tools and materials be on hand before work is begun.



Phillips Screwdriver



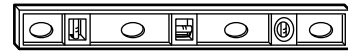
Flat Blade Screwdriver



Drill



Tape Measure



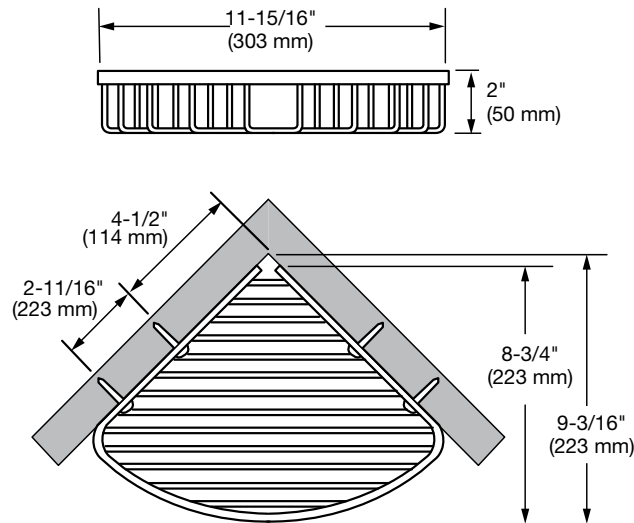
Level

ROUGHING-IN DIMENSIONS:

- For reference

Available Finishes

POLISHED CHROME	100
-----------------	-----



In the United States:

DXV
One Centennial Avenue
Piscataway, New Jersey 08855
Attention: Director of Customer Care

For residents of the United States, warranty information may also be obtained by calling the following toll free number: (800) 227-2734
www.DXV.com

In Canada:

DXV
5900 Avebury Road
Mississauga, Ontario
L5R 3M3
Canada

Toll Free: 1-800-387-0369
Local: 905-306-1093
Fax: 1-800-395-1498
www.DXV.ca

In Mexico:

DXV
Via Morelos 330
Col. Santa Clara Coatitla
Ecatepec, Estado de México 55540

Toll Free: 01-800-8391200
www.DXV.mx

S A V E F O R F U T U R E U S E

1 INSTALL CORNER BRACKET

- The CORNER BASKET (1) works best if secured to a wall stud or cross brace within the wall, using the SCREWS (2) supplied.
- If the CORNER BASKET (1) is to be installed on a tile or plaster wall the ANCHORS (3) and SCREWS (2) should be used.
- Determine desired height and location (optional) and mark a center line. Using the CORNER BASKET (1) as a template mark the four spots for the ANCHORS (3). If CORNER BASKET (1) is secured to a stud or cross brace drill small pilot holes for SCREWS (2).
- **For installations on drywall or tiled walls:** Use ANCHORS (3) and SCREWS (2) for securing to finished wall. Drill two 1/4" dia. holes a minimum of 1-3/4" deep. Insert the two ANCHORS (3) flush with face of the finished wall.
- Secure CORNER BASKET (1) to wall with SCREWS (2).

2 INSTALL CORNER BRACKET

- See detail for the center to center dimension of CORNER BASKET (1).
For installation of the CORNER BASKET (1) see step 1.
- Note: The center line of CORNER BASKET (1) must be level.
- Push CORNER BASKET (1) flush against finished wall and tighten SCREWS (2).

*FROM CENTER TO CENTER OF WALL BRACKETS
*NOTE: MEASUREMENT IS APPROXIMATE ONLY,
PLEASE USE BAR AS TEMPLATE FOR ACTUAL
CENTER TO CENTER MEASUREMENTS.

