



# OAK HILL®

## 3-HANDLE THERMOSTATIC VALVE TRIM



- The Oak Hill Three-Handle Thermostatic Valve Trim from DXV brings the charm and lasting appeal of the traditional farmhouse aesthetic into today's home
- 1/8" Thin profile
- Forged brass escutcheon plate
- Brass handles
- Concealed mounting hardware
- Rough-in valve sold separately

### CODES AND STANDARDS

Meets or Exceeds ASME A112.18.1/CSA B125.1

### DESCRIPTION

3-Handle Thermostatic Valve Trim - Lever Handles 

### PRODUCT NUMBER

D3515537.XXX

3-Handle Thermostatic Valve Trim - Cross Handles

D3515538.XXX

### REQUIRED VALVE OPTIONS

3-Handle Thermostatic Rough Valve with 2 Volume Controls

D35005532.191

3-Handle Thermostatic Rough Valve with 2-Way Diverter  
(Discrete Functions)

D35005533.191

3-Handle Thermostatic Rough Valve with 2-Way Diverter  
(Shared Functions)

D35005533S.191

### AVAILABLE FINISHES

- Polished Chrome
- Brushed Nickel
- Platinum Nickel
- Satin Brass

### FINISH CODE

- 100
- 144
- 150
- 427



Polished Chrome



Brushed Nickel



Platinum Nickel



Satin Brass

ROUGH-IN DIAGRAM SHOWN ON NEXT PAGE

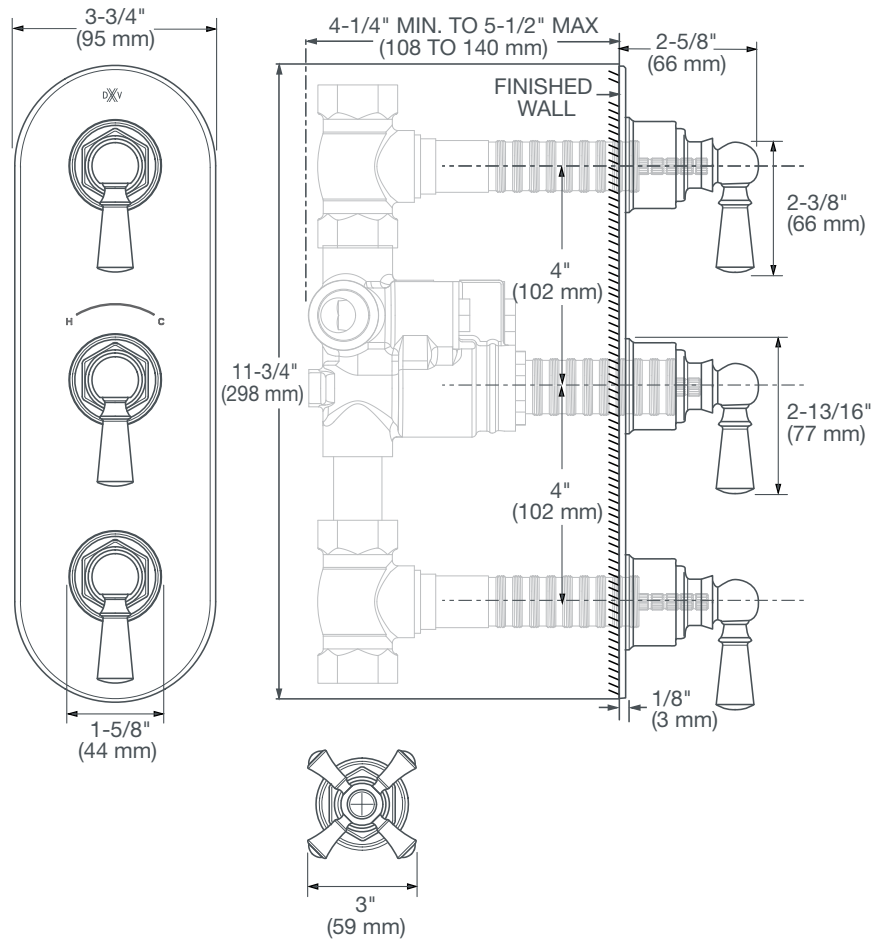


Meets the Americans with Disabilities Act Guidelines and ANSI A117.1 Requirements for the physically challenged.



# OAK HILL<sup>®</sup>

## 3-HANDLE THERMOSTATIC VALVE TRIM



**IMPORTANT:** These measurements are subject to change or cancellation. No responsibility is assumed for use of superseded or voided pages.

PART OF LIXIL