

25 222

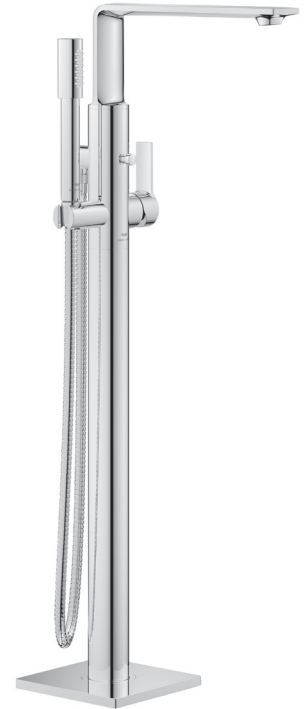
ALLURE

SINGLE-HANDLE FREESTANDING TUB FAUCET WITH 1.75 GPM HAND SHOWER



STANDARD SPECIFICATION:

- GROHE StarLight®
- GROHE DreamSpray®
- Speed Clean® anti-lime system
- Floor Mounted
- 10 3/4" Spout reach
- Requires Rough-In Set (29 038 001) (sold separately)
- Integrated non-return valve in the shower outlet 1/2"
- 49" hose
- Sena Stick Hand Shower, 1.75 gpm



PRODUCT FEATURES:

- GROHE StarLight®
- GROHE DreamSpray®
- Speed Clean®

CERTIFICATIONS:

- CEC Certified
- CALGreen Compliant
- Massachusetts Plumbing Board Approved
- Energy Policy Act of 1992
- CSA B125.1
- ASME A112.18.1

AVAILABLE FINISHES:

- 25222001 GROHE StarLight® Chrome
- 25222431 Matte Black
- 25222EN1 Brushed Nickel InfinityFinish™
- 25222GN1 Brushed Cool Sunrise

NOTE: Install this product according to the installation guide. ADA, CSA compliant when installed to the specific requirements of these regulations.

We reserve the right to make revisions without notice to product specifications. 04-26-2023

US
Tel: 1.630.582.7711 Fax: 1.630.582.7722
For the most current Specification Sheet,
go to www.grohe.us.

Canada
Tel: 1.888.644.7643 Fax: 1.905.366.2071
For the most current Specification Sheet,
go to www.grohe.ca.

PART OF LIXIL

25 222

ALLURE



SINGLE-HANDLE FREESTANDING TUB FAUCET WITH 1.75 GPM HAND SHOWER

TECHNICAL DATA:

Product Height	30-1/2 in
Fitting Spout Reach	10-3/8 in
GPM (Min)-GPM (Max)	1.75 GPM

