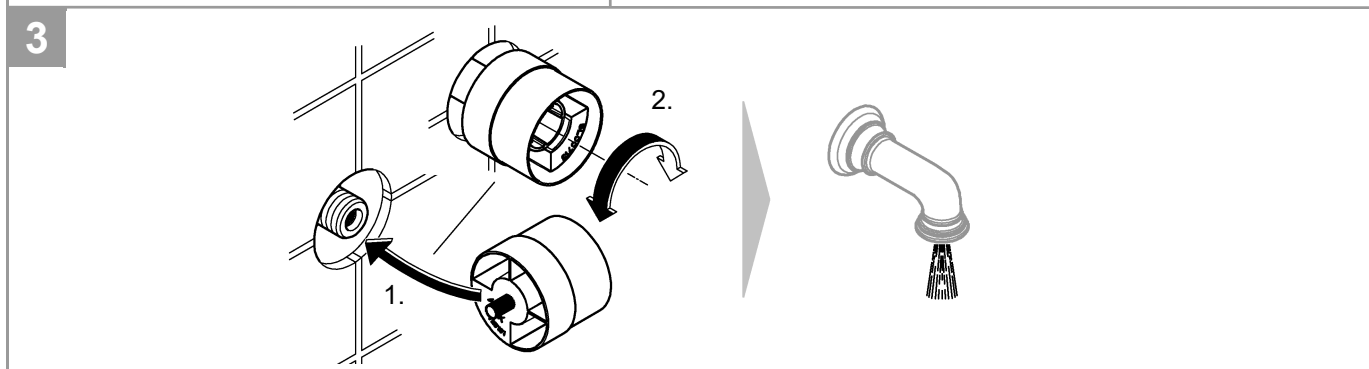
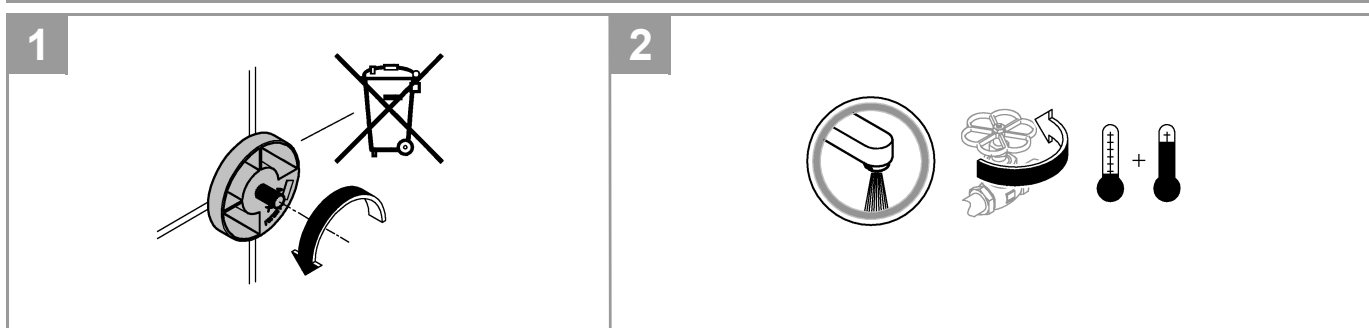
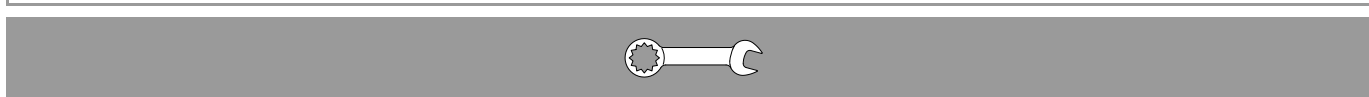
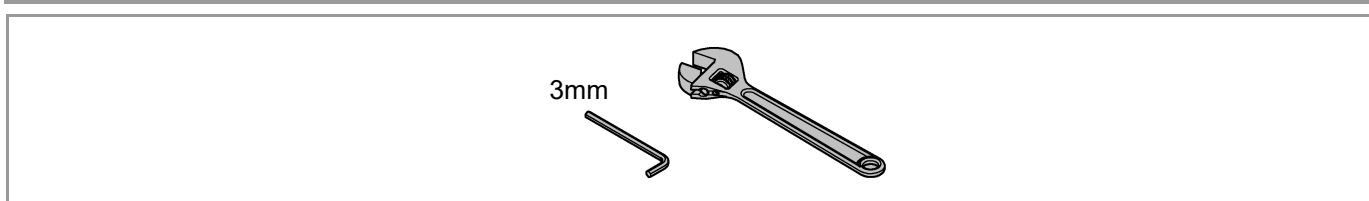
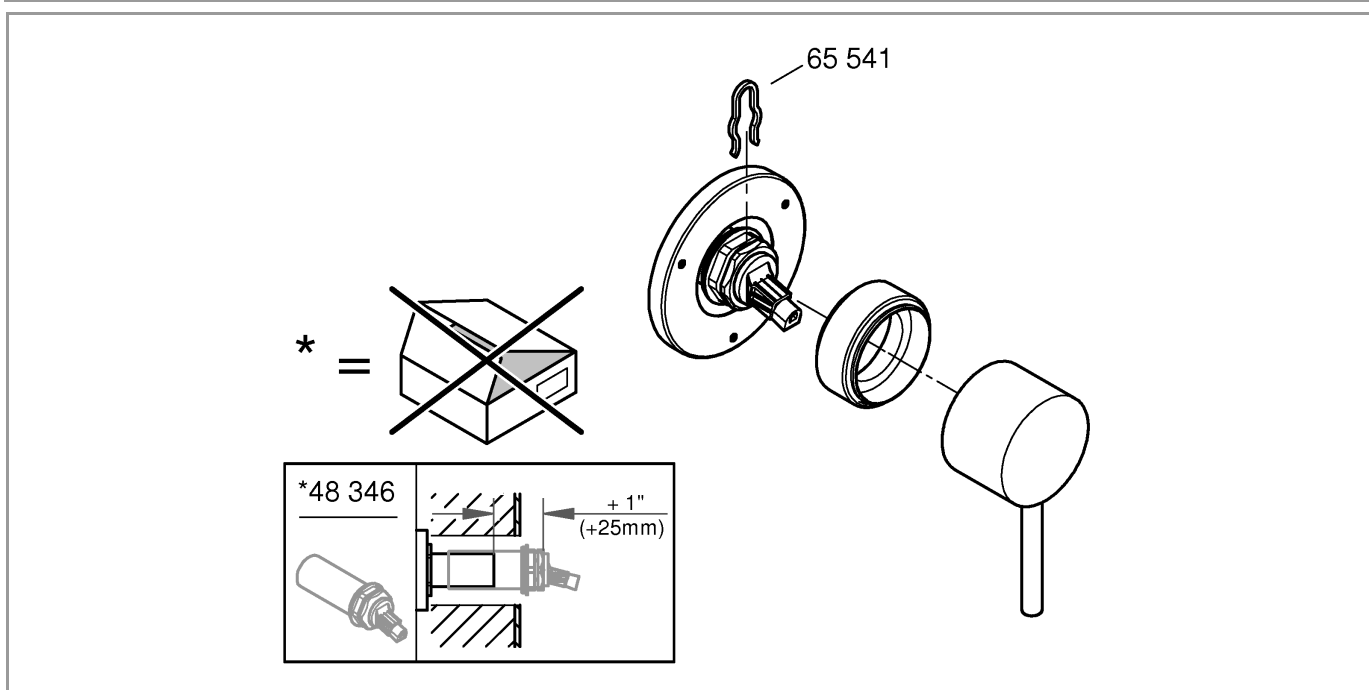
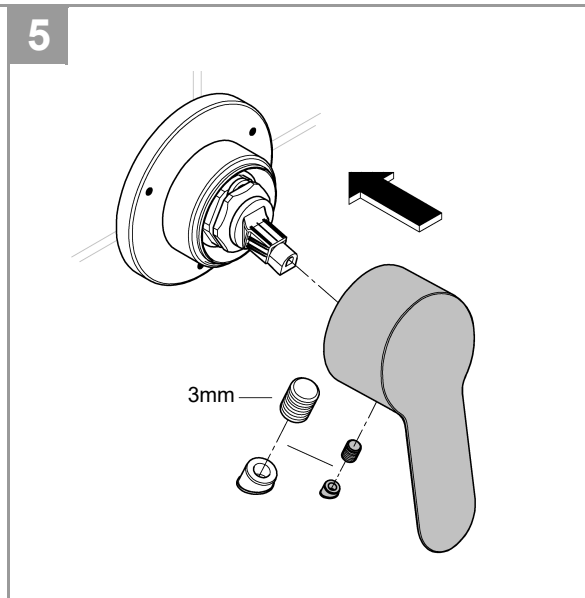
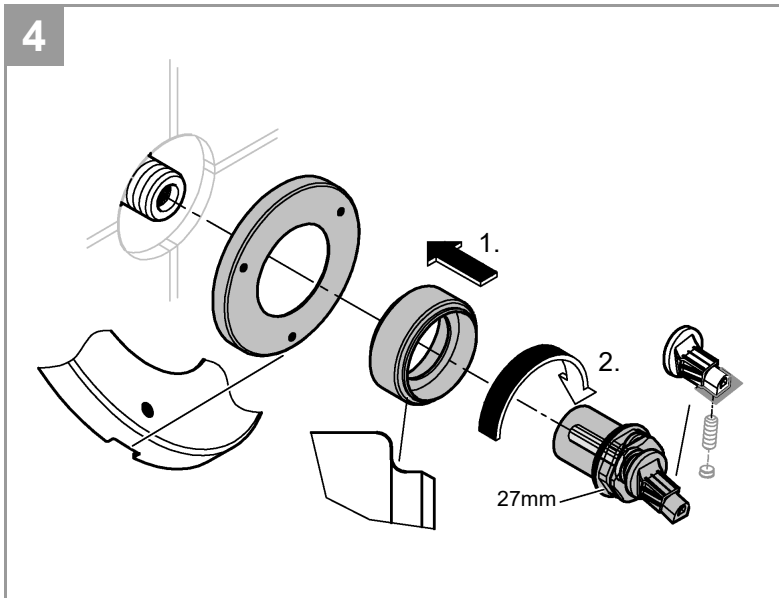


DESIGN + ENGINEERING
GROHE GERMANY

99.1803.031/ÄM 252446/03.23

www.grohe.com

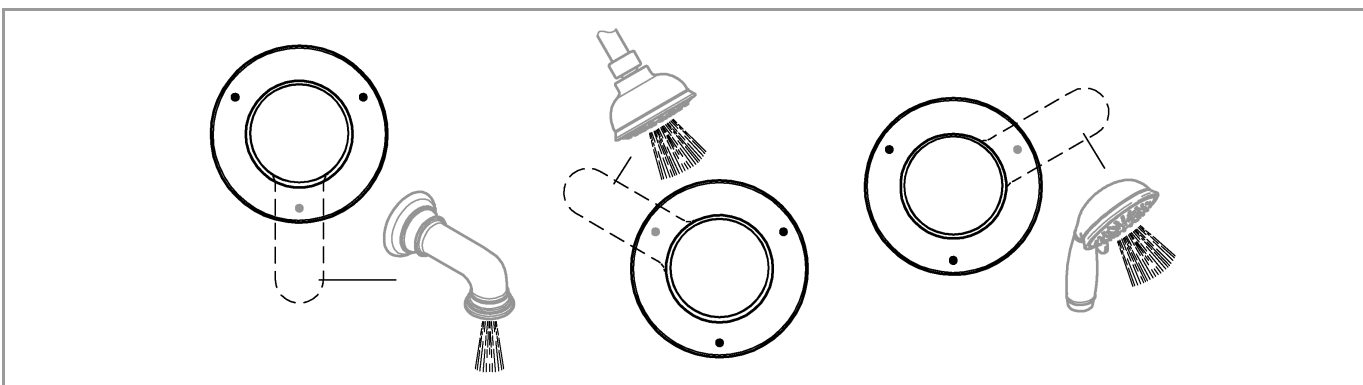




Concealed housing
Corps à encastrer
Cuerpo de montaje

29 902

Discrete outlets
Sorties discrètes
Salidas discretas



Concealed housing
Corps à encastrer
Cuerpo de montaje

29 903

Shared outlets
Sorties partagées
Flujo compartido

