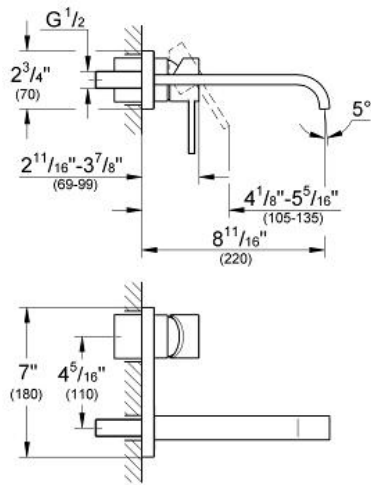


ALLURE
Two-Hole Wall Mount Bathroom
Faucet M-Size
MODEL # 1938700A

Pure Freude
an Wasser



Product Description:

ALLURE

Two-Hole Wall Mount Bathroom Faucet M-Size

Standard Specification:

- Requires Vessel Rough-In Valve 33 780
- Wall mount
- With metal plate
- Spout with flow control
- Spout Reach: $8 \frac{11}{16}''$
- Center distance $4 \frac{5}{16}''$ (110 mm)
- Without concealed body
- **GROHE StarLight** chrome finish
- Max flow rate: 1.2 gpm (4.56 L/min)

Applicable Codes & Standards:

- Energy Policy Act of 1992
- NSF 61
- ASME A112.18.1/CSA B125.1
- US Federal and State material regulations
- EPA WaterSense®
- ICC/ANSI A117.1

Color:

- 1938700A StarLight Chrome

