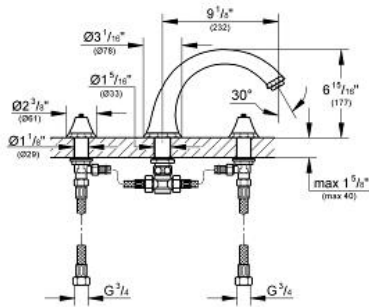


KENSINGTON
 Three-Hole Roman Bathtub Faucet
 MODEL # 25074000

Pure Freude
 an Wasser



Product Description:
 KENSINGTON
 Three-Hole Roman Bathtub Faucet

- Standard Specification:**
- Handles sold separately
 - Diverter bath spout with flow control
 - Side valves
 - 1/2" (13mm) ceramic cartridge (90° turn)
 - **GROHE StarLight** chrome finish
 - Max Flow Rate 13.2 gpm (50 L/min)

- Applicable Codes & Standards:**
- Energy Policy Act of 1992
 - ASME A112.18.1/CSA B125.1

Color:
 25074000 StarLight Chrome

