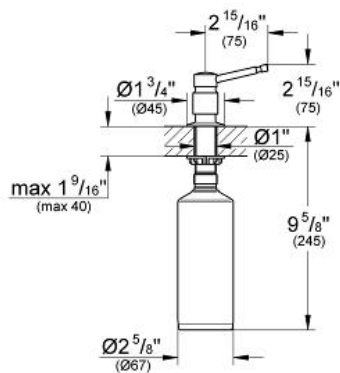


Soap Dispenser

MODEL # 28857SD0

Pure Freude
an Wasser

GROHE



Product Description:

Soap Dispenser

Standard Specification:

- One Piece Cartridge Pump Unit
- Capacity 15 oz.

Applicable Codes & Standards:

- Energy Policy Act of 1992
- ASME A112.18.1/CSA B125.1

Color:

- 28857SD0 GROHE RealSteel®