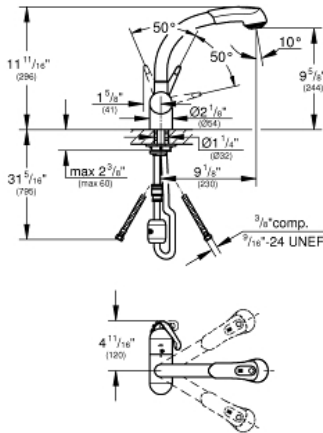


LADYLUX PLUS  
Single-Handle Kitchen Faucet  
MODEL # 33759SD0

Pure Freude  
an Wasser



**Product Description:**  
**LADYLUX PLUS**  
**Single-Handle Kitchen Faucet**

**Standard Specification:**

- **Dual Spray Pull-Out**
- Single hole installation
- Solid stainless steel body
- **GROHE SilkMove** ceramic cartridge
- $360^\circ$  swivel spout
- Diverter: aerator/shower jet
- **SpeedClean** anti-lime system
- **GROHE RealSteel** Stainless Steel Construction produced from Grade 304 stainless steel
- Stainless steel flexible connection hoses
- Quick installation system
- Double check valve
- Integrated flow regulating valve
- Single Lever Handle
- Variable Handle Positioning
- Spout Reach  $9 \frac{1}{8}''$
- Coordinated Ladylux Pro Design
- Forward rotation lever, does not hit backsplash
- Max Flow Rate: 1.75 gpm (6.6 L/min)

**Applicable Codes & Standards:**

- Energy Policy Act of 1992
- NSF 61
- ASME A112.18.1/CSA B125.1
- US Federal and State material regulations
- ICC/ANSI A117.1

**Color:**

- 33759SD0 GROHE RealSteel®

