

MODEL NUMBER:\*



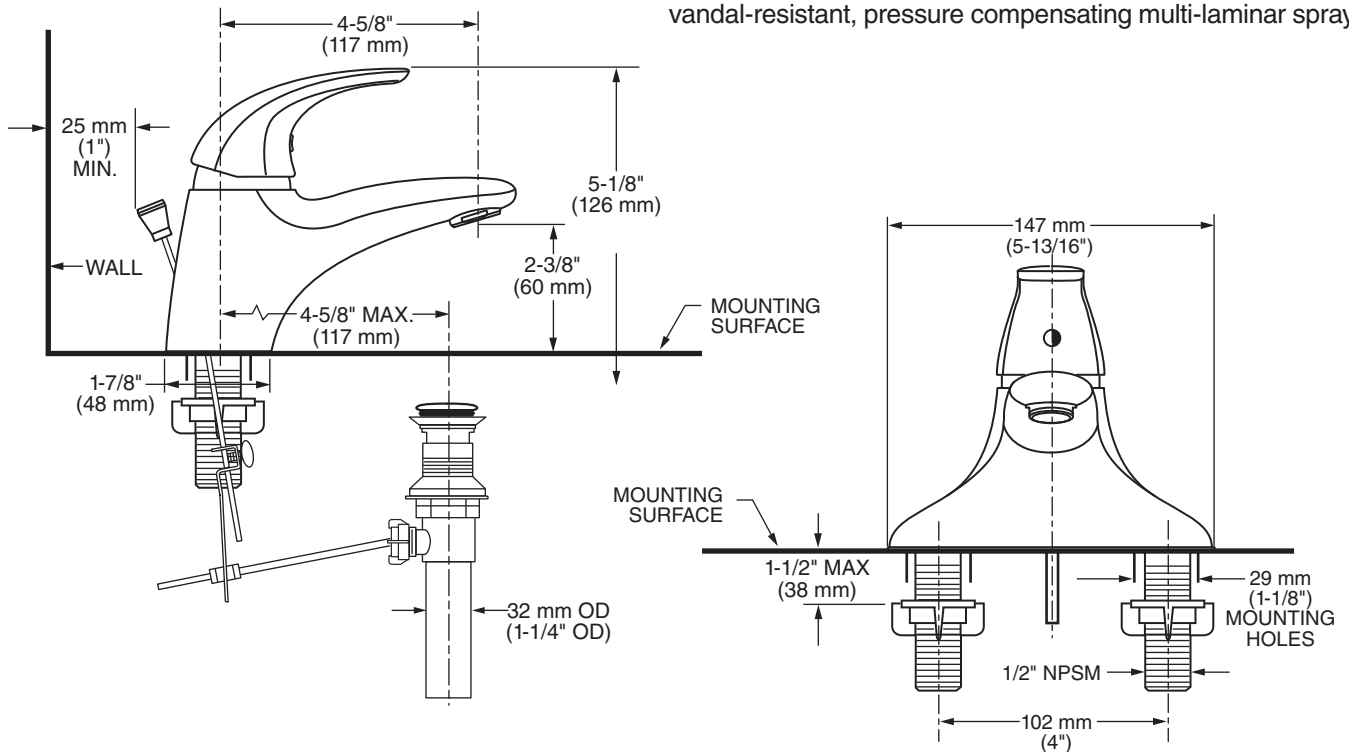
- ❑ **6114117.002 Monterrey Single Control Centerset**  
Cast brass body. Metal pop-up drain. 1.2 gpm vandal-resistant, pressure compensating aerator.



- ❑ **6114118.002 Monterrey Single Control Centerset**  
Cast brass body. LESS pop-up drain, rod & hole. 1.2 gpm vandal-resistant, pressure compensating aerator.

- ❑ **6114119.002 Monterrey Single Control Centerset**  
Cast brass body. Metal pop-up drain. 0.5 gpm vandal-resistant, pressure compensating multi-laminar spray.

- ❑ **6114120.002 Monterrey Single Control Centerset**  
Cast brass body. LESS pop-up drain, rod & hole. 0.5 gpm vandal-resistant, pressure compensating multi-laminar spray.



**GENERAL DESCRIPTION:**

Cast brass centerset body with metal handle. 1/2" male threaded brass inlet shanks with quick spin nuts. Washerless ceramic disc valve cartridge with integral hot limit safety stop. Metal pop-up drain with 1-1/4" (32 mm) tailpiece. Choice of flow outlet. Fitting mounts on 4" centers.

**PRODUCT FEATURES:**

**Pressure Compensating Outlet:** Provides a constant water flow throughout the pressure range.

**Durable Cast Brass Body:** Durable - Excellent in high use applications. Ideal for prolonged contact with water.

**Ceramic Disc Valve Cartridge:** Assures a lifetime of drip-free performance.

**Adjustable Hot Limit Safety Stop:** Limits the amount of hot water allowed to mix with cold. Reduces the risk of accidental scalding.

**Lead Free:** Faucet contains ≤ 0.25% total lead content by weighted average.

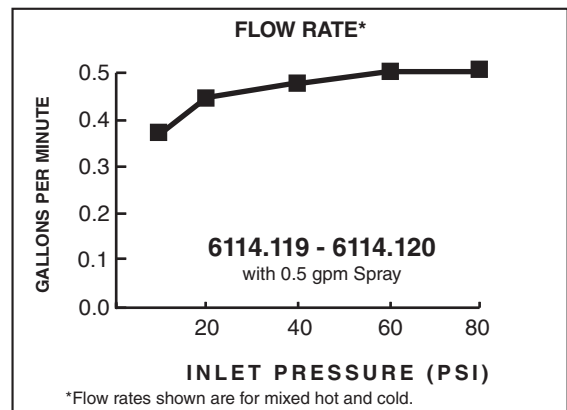
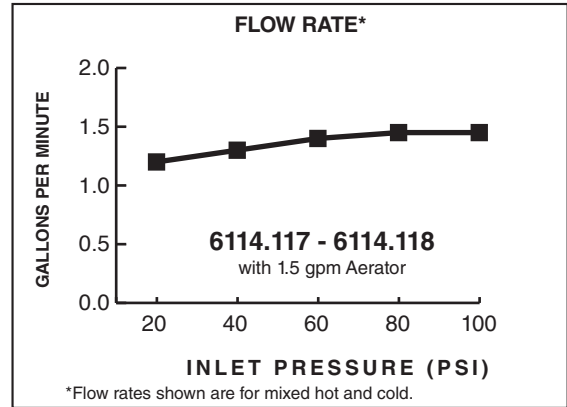
**SUGGESTED SPECIFICATION**

Single control centerset lavatory fitting shall feature a cast brass body with metal handle. Shall feature 1/2" male threaded brass inlet shanks with quick spin nuts. Shall also feature washerless ceramic disc valve cartridge with integral hot limit safety stop. Faucet shall be American Standard Model # 6114.1\_\_\_.002.


**CODES AND STANDARDS**

These products meet or exceed the following codes and standards:

- ANSI A117.1**
- ASME A112.18.1**
- CSA B 125**
- NSF 372**



Product Number	Description	Finish
		Polished Chrome
		002
6114.117	Monterrey Single Control Centerset. Metal lever handle. Metal pop-up drain. 1.2 gpm/4.5 L/min. maximum flow rate.	
6114.118	Monterrey Single Control Centerset. Metal lever handle. LESS pop-up drain. 1.2 gpm/4.5 L/min. maximum flow rate.	
6114.119	Monterrey Single Control Centerset. Metal lever handle. Metal pop-up drain. 0.5 gpm/1.9 L/min. maximum flow rate.	
6114.120	Monterrey Single Control Centerset. Metal lever handle. LESS pop-up drain. 0.5 gpm/1.9 L/min. maximum flow rate.	

 Meets the American Disabilities Act Guidelines and **ANSI A117.1** Requirements for accessible and usable building facilities - check local codes