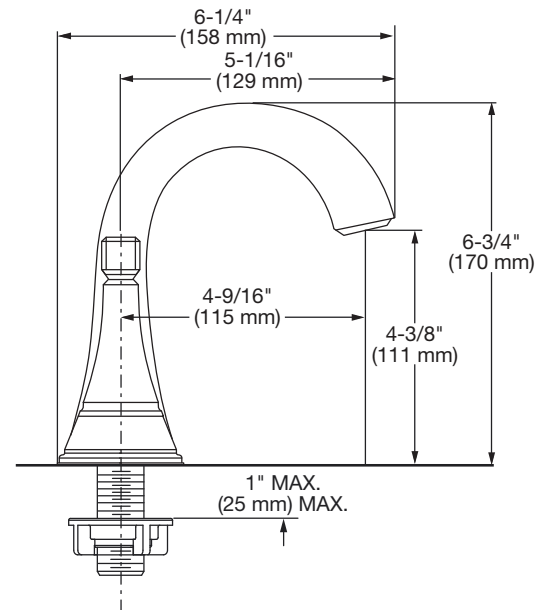


**MODEL NUMBER:**

- ❑ **7012201.295 Centerset Bath Faucet**  
Brushed Nickel Finish.
- ❑ **7012201.278 Centerset Bath Faucet**  
Legacy Bronze Finish.



Effortless elegance, leading-edge style and thoughtful innovation combine to make American Standard faucets the perfect choice for those who are unwilling to sacrifice style for performance.

**GENERAL DESCRIPTION:**

Centerset lavatory faucet on 4" centers. 1/4 turn washerless ceramic disc valve cartridges. Durable non-metal water ways with one-half inch male inlet shanks. Metal body and metal lever handles. Drain body with 1-1/4 inch (32 mm) tail piece. 1.2 gpm/4.5 L/min. maximum flow rate.

**PRODUCT FEATURES:**

**Easy Install Push Drain:** Easy to install, operate and remove clogs

**Metal Construction:** Built for durability and dependability  
**Ceramic Disc Valve Cartridges:** Lifetime of drip-free performance

**Limited Lifetime Warranty:** Reliable function, lustrous finish for life

**WaterSense Certified:** Saves water without sacrificing performance

**Choice of Finishes:** Brushed Nickel or Legacy Bronze



**Easy Install Push Drain**  
EASY TO INSTALL, OPERATE, AND REMOVE CLOGS



Reliable For Life



**Beautiful & Tough**  
TARNISH, SCRATCH AND CORROSION RESISTANT FINISH



Reliable For Life



**Guaranteed Not To Leak**  
CERAMIC DISC VALVE



Reliable For Life

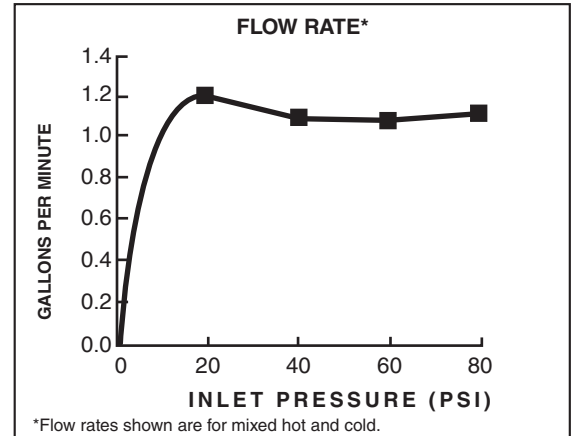
**SUGGESTED SPECIFICATION**

Dual control centerset bath faucet shall feature metal spout and metal lever handles. Shall also feature 1/4 turn washerless ceramic disc valve cartridges. Shall also feature a non-metal Easy Install Push Drain body. Fitting shall be American Standard Model # 7012201.295, 7012201.278.

**CODES AND STANDARDS**

These products meet or exceed the following codes and standards:

- ANSI A117.1**
- ASME A112.18.1**
- CSA B125.1**
- NSF 61/Section 9**
- NSF 372**



Product Number	Description
7012201.295	Centerset lavatory. Metal lever handles. Easy Install Push Drain. Brushed Nickel finish.
7012201.278	Centerset lavatory. Metal lever handles. Easy Install Push Drain. Legacy Bronze finish.

**ADA** Meets the American Disabilities Act Guidelines  
**ANSI A117.1** Requirements for the physically challenged.