

GENERAL DESCRIPTION:

Valve body features cast DZR brass construction. The unit has two valve bodies - the top one shall contain a diverter cartridge with up to three ports, one of which is capped by default. The bottom body shall house a pressure balance cartridge. Both outlet ports and inlet threads for hot and cold water are 1/2"-14 NPT. Features flush plug with stainless steel retaining ring with flats. Available with screwdriver stops. Rough-in plaster guard designed as rough-in guide and for use as thin wall mounting support. For use with TU series trim kits with cartridges.

PRODUCT FEATURES:

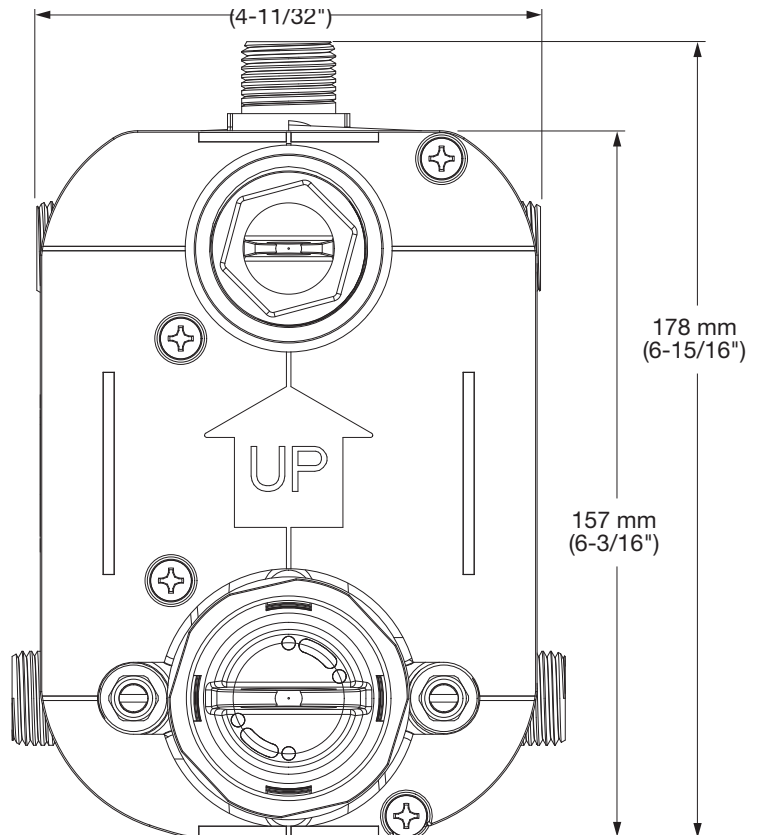
Cast DZR Brass Valve Body: Durable. Ideal material for prolonged contact with water. Resists corrosion due to high chloride and pH levels in water.

Flat Back: Allows valve to be mounted flush against cross brace for easy and solid installation.

Wide Rough-in Range: From 2-3/4" to 3-1/2" from finished wall to the back of the valve.

MODEL NUMBER:

- ❑ **RU520 Pressure Balance Valve Rough-In with Integrated Diverter** 1/2" NPT inlets/outlets.



Exclusive Plaster Guard: Plaster guard is designed to protect valve and act as a guide during installation.

Flush Plug: Allows valve body to be tested and flushed without the presence of the valve cartridge. Can be tested using Flush Plug with air (200 psi) or water (300 ps).

Built in Service Stop: Easily shut off the water supply with flat screw driver without having to access the main water source.

Pointy Flush Plug End: Push against the Sheetrock or drywall for making the centers of valves.

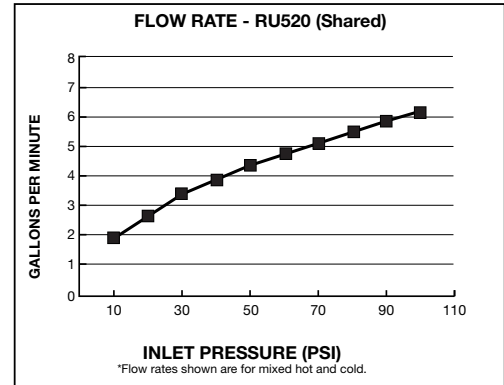
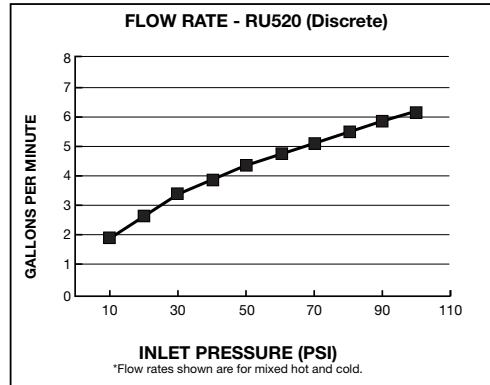
SUGGESTED SPECIFICATION

Two-handles pressure balance valve shall feature a cast DZR brass body. Valve Body shall feature flush plug to flush and test the lines. Shall feature stainless steel retaining ring with flats. Shall feature build-in screw driver stops. Shall also feature 1/2" NPT inlets and outlets. Rough Valve Body shall be: Rough Valve Body - American Standard Model # RU520.

CODES AND STANDARDS

These products meet or exceed the following codes and standards:


ASME A112.18.1/CSA B125.1
ASSE 1016/ASME A112.1016/CSA B125.16



ADA Meets the American Disabilities Act Guidelines and **ANSI A117.1** Requirements for the physically challenged.

Rough Valve	Product Number	Description
	RU520	Pressure Balance Valve Rough-In with Integrated Diverter. 1/2" NPT Inlets/Outlets. LESS Trim.

Flash 2-Handle Pressure Balance Valve (RU520) will accept the following trim:

AVAILABLE TRIM KITS	Aspirations™
	
	TU061740