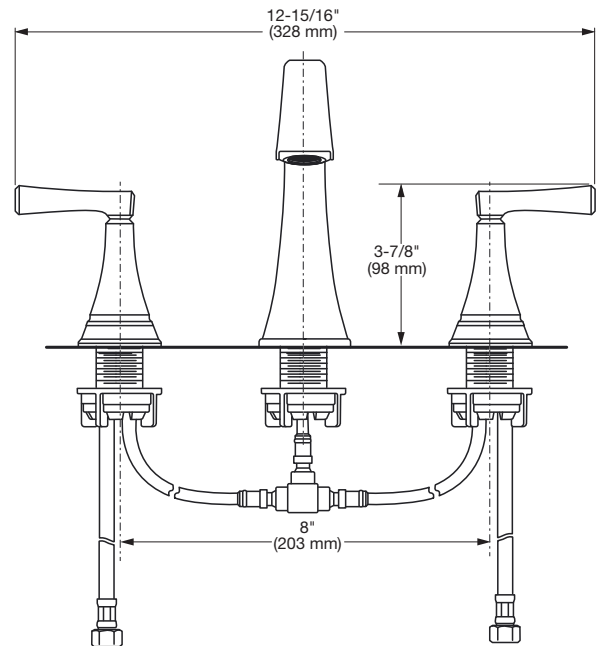


## MODEL NUMBER:

- ☐ 7012801.295 Brushed Nickel finish.
- ☐ 7012801.278 Legacy Bronze finish.



Effortless elegance, leading-edge style and thoughtful innovation combine to make American Standard faucets the perfect choice for those who are unwilling to sacrifice style for performance.

## GENERAL DESCRIPTION:

Non-metal valve bodies with reinforced brass sleeves and flexible hose connections for 6" to 12" (152 to 305 mm) installations. 1/4 turn washerless ceramic disc valve cartridges. Drain body with 1-1/4 inch (32 mm) tail piece. 1.2 gpm/4.5 L/min. maximum flow rate.

## PRODUCT FEATURES:

- **Easy Install Push Drain:** Easy to install, operate and remove clogs
- **Metal Construction:** Built for durability and dependability
- **Ceramic Disc Valve Cartridges:** Lifetime of drip-free performance
- **Limited Lifetime Warranty:** Reliable function, lustrous finish for life
- **WaterSense Certified:** Saves water without sacrificing performance
- **Choice of Finishes:** Brushed Nickel or Legacy Bronze



**Easily Snaps Together for Watertight Connection**  
SPEED CONNECT® HOSES

Reliable For Life



**Pre-assembled Handles**  
JUST DROP-IN AND CONNECT

Reliable For Life



**Supply Lines Included**

Reliable For Life

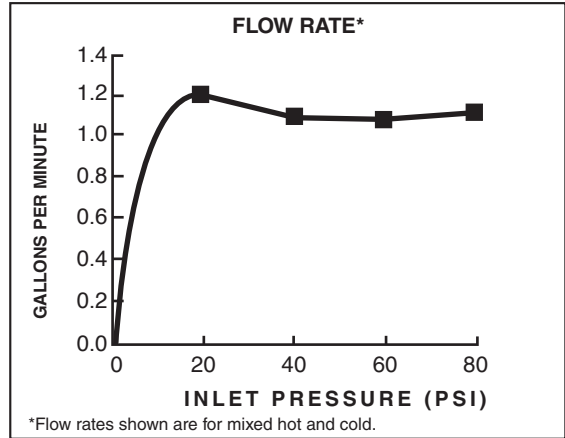
## SUGGESTED SPECIFICATION:

2-Handle widespread bath faucet shall feature metal spout. Shall also feature 1/4 turn washerless ceramic disc valve cartridges. Shall also feature a non-metal Easy Install Push Drain body. Fitting shall be American Standard Model # 7012801.295. Model # 7012801.278.

**CODES AND STANDARDS**

These products meet or exceed the following codes and standards:

- ANSI A117.1**
- ASME A112.18.1**
- CSA B125.1**
- NSF 61/Section 9**
- NSF 372**



Product Number	Description
7012801.295	Widespread lavatory. Metal lever handles. Easy Install Push Drain. Brushed Nickel finish.
7012801.278	Widespread lavatory. Metal lever handles. Easy Install Push Drain. Legacy Bronze finish.

**ADA** Meets the American Disabilities Act Guidelines  
**ANSI A117.1** Requirements for the physically challenged.