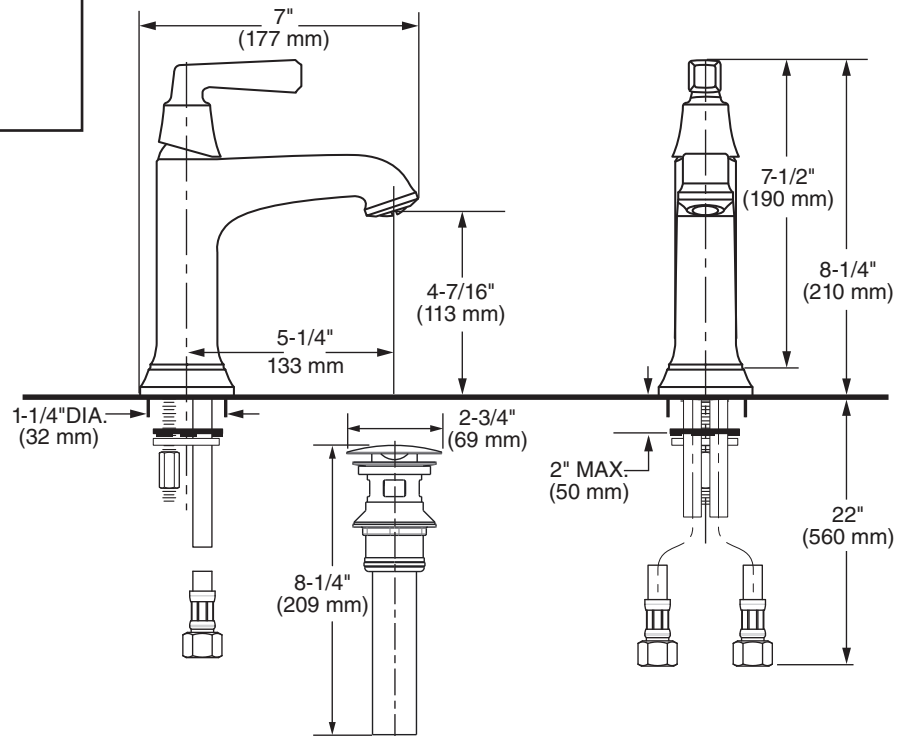


**MODEL NUMBER:**

- **7455107 Town Square S Monoblock**  
Metal lever handle. Metal push pop-up drain.



**GENERAL DESCRIPTION:**

- Cast brass spout
- Washerless 28mm ceramic disc valve cartridge with integral hot limit safety stop.
- Integrated 24" braided supply hoses with 3/8" compression connections
- Brass push pop-up drain
- 1.2 gpm/4.5 L/min maximum flow rate

**PRODUCT FEATURES:**

**Brass Construction:** Durable. Easy to clean. Ideal for prolonged contact with water.

**Ceramic Disc Valve Cartridge:** Assures a lifetime of smooth handle operation and drip-free performance.



ADA COMPLIANT



EPA  
WATERSENSE®  
CERTIFIED

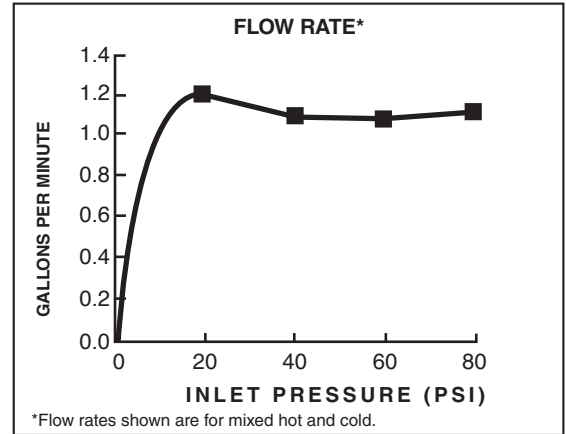
**SUGGESTED SPECIFICATION**

Single control lavatory faucet shall feature a brass body and metal lever handle. Fitting shall be equipped with flexible supplies with 3/8" compression connectors. Shall also feature washerless ceramic disc valve cartridge with an integral hot limit safety stop. Shall also feature a metal drain body. Fitting shall be American Standard Model # 7455107.\_\_\_\_\_.

**CODES AND STANDARDS**

These products meet or exceed the following codes and standards:

- ANSI A117.1**
- ASME A112.18.1**
- CSA B125.1**
- NSF/ANSI/CAN 61: Q<1**
- NSF/ANSI/CAN 372**



Product Number	Description	ADA	Finish Options					
			Polished Chrome	Brushed Nickel	Polished Nickel	Legacy Bronze	Brushed Cool Sunrise	Matte Black
			002	295	013	278	GN0	243
7455107	Town Square S Single Control Monoblock.	ADA	✓	✓	✓	✓	✓	✓

**ADA** Meets the American Disabilities Act Guidelines and **ANSI A117.1** Requirements for the physically challenged.