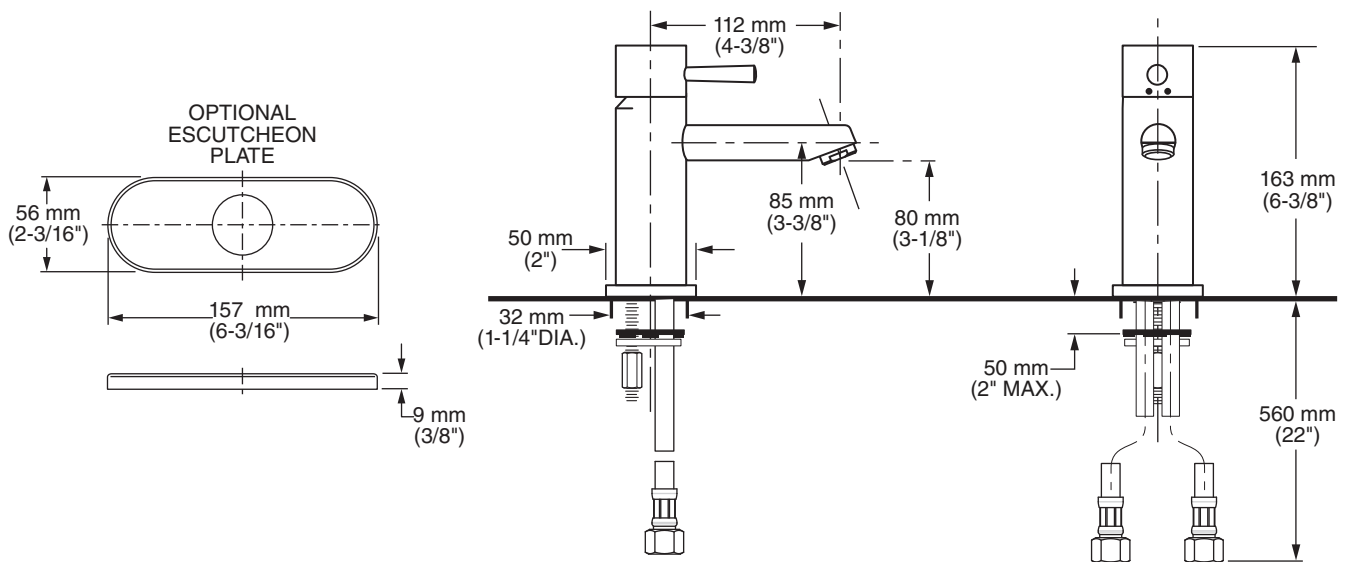


**MODEL NUMBER:**

- ❑ 2064LDH.101 Serin Single Control Monoblock  
Less drain. Less drain hole.

**AVAILABLE ACCESSORY:**

- ❑ 2064101P Escutcheon Plate Only



**GENERAL DESCRIPTION:**

Brass body. Washerless 35 mm ceramic disc valve cartridge with integral hot limit safety stop. Braided flexible supply hoses with 3/8" compression connectors. 20" (500 mm) long flexible stainless steel drain cable is pre-assembled to faucet body. Metal lever handle with Red/Blue indicators. Metal Speed Connect® drain body with 1-1/4" (32 mm) tail piece. 1.2 gpm/4.5 L/min. maximum flow rate. Fitting can be mounted on 4" centers using optional escutcheon (2064101P) or single hole mounting method.

**PRODUCT FEATURES:**

**Brass Construction:** Durable. Easy to clean. Ideal for prolonged contact with water.

**Ceramic Disc Valve Cartridge:** Assures a lifetime of smooth handle operation and drip-free performance.

**Adjustable Hot Limit Safety Stop:** Limits the amount of hot water allowed to mix with cold. Reduces the risk of accidental scalding.

**Exclusive Speed Connect Metal Drain:**

- Fewer parts. Installs in less time.
- No adjustments required - seals the first time, every time.
- Flexible stainless steel cable - installs effortlessly in tight spaces.

**Lead Free:** Faucet contains ≤ 0.25% total lead content by weighted average.

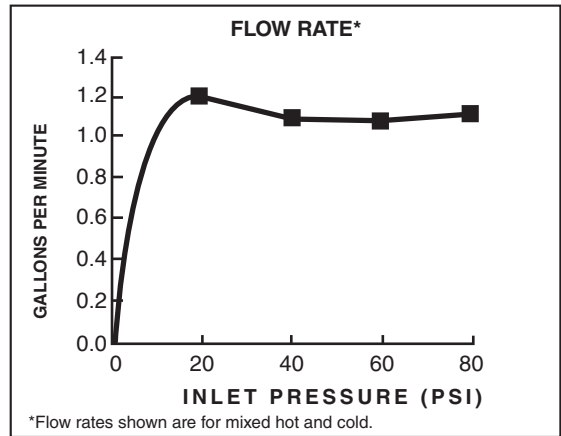
**SUGGESTED SPECIFICATION**



Single control lavatory faucet shall feature a brass body and metal lever handle. Fitting shall be equipped with flexible supplies with 3/8" compression connectors. Shall also feature washerless ceramic disc valve cartridge with an integral hot limit safety stop. Shall also feature a metal drain body with stainless steel cable actuation. Fitting shall be American Standard Model # 2064LDH.101.

**CODES AND STANDARDS**

These products meet or exceed the following codes and standards:

- ANSI A117.1**
- ASME A112.18.1**
- CSA B125.1**
- NSF 61/Section 9 and Annex G**



Product Number	Description	Finish Options	
		Polished Chrome	PVD Brushed Nickel
		002	295
2064101	Serin Single Control Monoblock. Metal Speed Connect® pop-up drain.  		
2064101P	Optional Escutcheon Plate (for mounting on 4" centers).		
2064LDH.101	Serin Single Control Monoblock. Less Drain. Less Drain Hole.		

 Meets CSA B651 Barrier Free code. Check local codes.

 Meets the American Disabilities Act Guidelines and **ANSI A117.1** Requirements for the physically challenged.