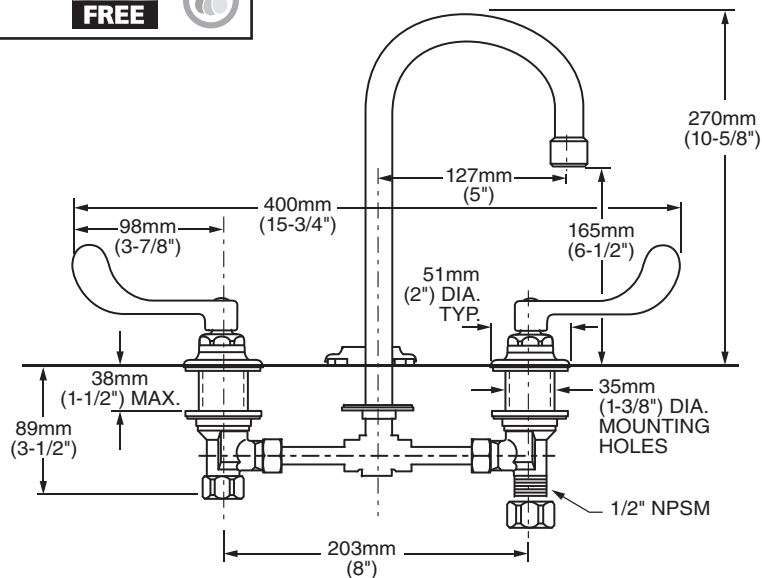




MODEL NUMBER:

- 6530.174 Widespread Lavatory**
 0.35 gpm Pressure Compensating, Vandal-Resistant Multi-Laminar Spray. Rigid gooseneck spout. Vandal-Resistant Wrist Blade Handles. Less drain and pop-up hole.



GENERAL DESCRIPTION:

Durable cast brass construction. Cast brass valve bodies with 8" rigid copper connection with compression fittings. 1/2" male threaded inlet shanks with brass coupling nuts. 1/4 turn ceramic disc valve cartridges. Rigid gooseneck spout. Vandal-Resistant Wrist Blade handles with blue & red color indexes. 0.35 gpm/1.3L/min. maximum flow rate.

PRODUCT FEATURES:

- Meets CALGreen:** 0.35 gpm/1.3 L/min. flow rate
- Pressure Compensating Multi-Laminar Spray:** Provides a constant water flow of 0.35 gpm throughout the pressure range. No mix of air and water.
- Solid Brass Construction:** Durable - Excellent in high use applications. Ideal for prolonged contact with water.
- Ceramic Disc Valve Cartridges:** Assures a lifetime of drip-free performance.
- Lead Free:** Faucet contains $\leq 0.25\%$ total lead content by weighted average.

SUGGESTED SPECIFICATION:

Two handle widespread lavatory faucet shall feature cast brass valve bodies with 8" rigid copper connection. Shall feature water-conserving, pressure compensating vandal-resistant 0.35 gpm/1.3L/min. multi-laminar spray. Vandal-Resistant Wrist Blade handles. Shall also feature 1/4 turn washerless ceramic disc valve cartridges. Shall also feature rigid gooseneck spout. Fitting shall be American Standard Model # 6530.174.002.

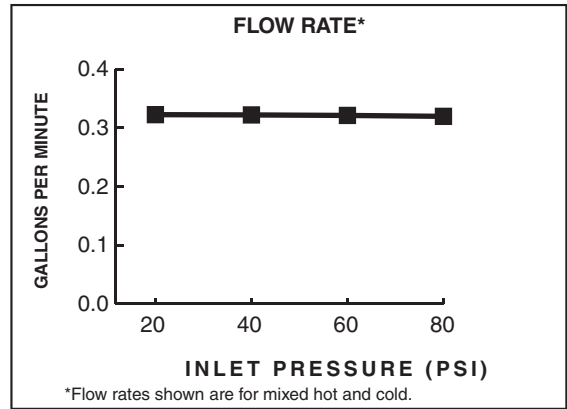


MONTERREY® 0.35 GPM
TWO-HANDLE 8" WIDESPREAD LAVATORY FAUCET
WITH RIGID GOOSENECK SPOUT

CODES AND STANDARDS

These products meet or exceed the following codes and standards:

- ANSI A117.1
- ASME A112.18.1
- CSA B 125
- NSF 372
- CALGreen



Product Number	Description	Finish
		Polished Chrome
6530.174	Widespread Lavatory with rigid gooseneck spout. 0.35 gpm/1.3L/min. pressure compensating vandal-resistant multi-laminar spray. Vandal-Resistant Wrist Blade Handles. Less drain and pop-up hole.	002

MEETS THE AMERICANS WITH DISABILITIES ACT GUIDELINES AND ANSI A117.1 REQUIREMENTS FOR ACCESSIBLE AND USABLE BUILDING FACILITIES-CHECK LOCAL CODES