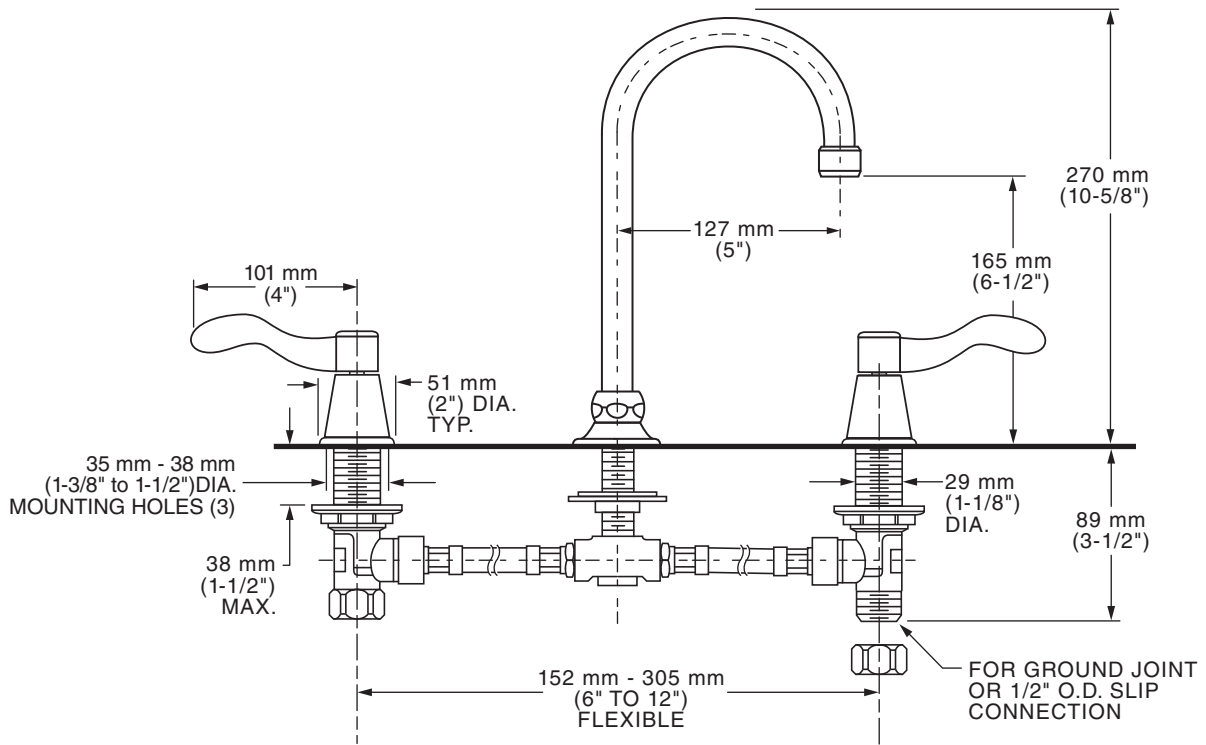




MODEL NUMBER:

■ **7890.372H Bar/Pantry Sink Faucet**

Flexible hose connections for 6"-12" center-to-center installation. Gooseneck swivel spout. Metal wrist blade handles with red and blue indexes.



GENERAL DESCRIPTION:

Cast brass valve bodies with reinforced flexible hose connections for 6" to 12" (152 to 305 mm) installations. 1/4 turn washerless ceramic disc valve cartridges. One-half inch male inlet shanks with brass coupling nuts and shank nuts. Brass gooseneck swivel spout. Metal wrist blade handles with red and blue indexes. 1.5 gpm/5.7 L/min. maximum flow rate.

PRODUCT FEATURES:

- Ceramic Disc Valve Cartridges:** Assures a lifetime of drip-free performance.
- Brass Construction:** Durable - Excellent in high use applications. Ideal for prolonged contact with water.
- Lead-Free:** Faucet contains ≤ 0.25% total lead content by weighted average.

SUGGESTED SPECIFICATION

Two handle bar sink/pantry faucet shall feature cast brass valve bodies with reinforced flexible hose connections for 6" to 12" installations. Gooseneck swivel spout. All brass shank nuts and coupling nuts. Shall also feature 1/4 turn washerless ceramic disc valve cartridges. 1.5gpm/5.7L/min. maximum flow rate. Faucet shall be American Standard Model # 7890.372H.002.

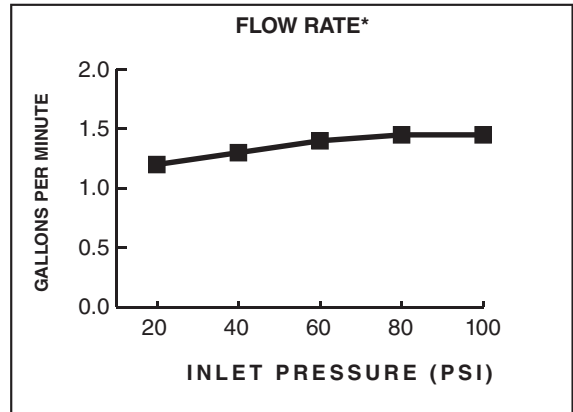


HERITAGE®/AMARILIS
TWO-HANDLE PANTRY/BAR SINK FAUCET
WITH BRASS GOOSENECK SPOUT


CODES AND STANDARDS

These products meet or exceed the following codes and standards:

- ASME A112.18.1**
- CSA B125.1**
- NSF 61/Section 9 and Annex G**
- NSF 372**



Product Number	Description	Finish
		Polished Chrome
		002
7890.t372H	Bar/Pantry Sink faucet. Gooseneck swivel spout. Metal wrist blade handles with red and blue indexes.	

 Meets the American Disabilities Act Guidelines and **ANSI A117.1** Requirements for accessible and usable building facilities - check local codes