

### STUDIO™ CARRÉ UNDERCOUNTER SINK

- Square undercounter mount sink
- Made from vitreous china
- Customizable overflow position
- Supplied with mounting kit (7301442-0070A) and template

**0426.000**  
405 x 405mm  
(16" x 16")

#### Bowl size:

344mm (13-1/2") wide  
344mm (13-1/2") front to back  
121mm (4-3/4") deep



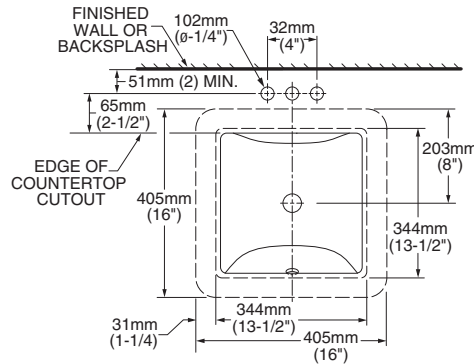
#### Compliance Certifications - Meets or Exceeds the Following Specifications:

- ASME A112.19.2 / CSA B45.1

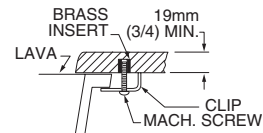
#### To Be Specified:

- Color:  White  Bone
- Linen  Black
- Faucet\*:
- Faucet Finish:
- Supplies:
- 1-1/4" Trap:

\* See faucet section for additional models available

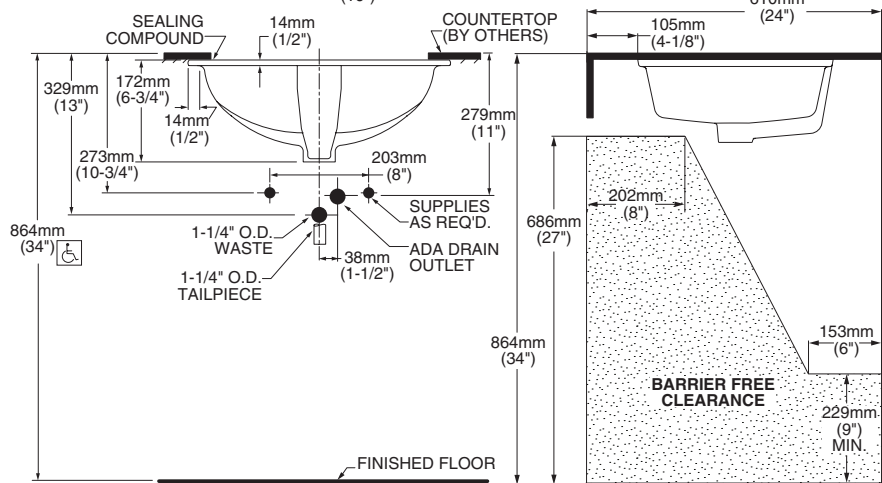


#### ▼ DETAIL OF MOUNTING CLIP (KIT No. 7301442-0070A)



REFER TO INSTALLATION INSTRUCTIONS

\* To comply with ADA standards,  
overflow hole must face back.



#### NOTES:

▼ UNDERCOUNTER MOUNTING KIT SUPPLIED WITH SINK.  
FITTINGS NOT INCLUDED WITH FIXTURE AND MUST BE ORDERED  
SEPARATELY.  
SEALING COMPOUND SUPPLIED BY OTHERS.

**IMPORTANT:** Dimensions of fixtures are nominal and may vary within the  
range of tolerances established by ASME A112.19.2 / CSA B45.1.  
These measurements are subject to change or cancellation. No responsibility  
is assumed for use of superseded or voided pages.

**MEETS THE AMERICANS WITH DISABILITIES ACT  
GUIDELINES AND ANSI A117.1 ACCESSIBLE AND  
USABLE BUILDINGS AND FACILITIES -  
CHECK LOCAL CODES.**

Countertop 864mm (34") from finished floor. Lavatory  
installed 102mm (4") from front edge of countertop.  
Countertop thickness to be 25mm (1") maximum.