

PRINCETON™ RECESS BATH W/ LUXURY LEDGE AND INTEGRAL OVERFLOW for Above Floor Rough Installation

Americast® brand engineered material

- 2396.202 ICH** (Chrome Trim)
Left Hand Outlet for above floor installation
- 2396.202 ICHTC** Same as above with Tub Cover
- 2397.202 ICH** (Chrome Trim)
Right Hand Outlet for above floor installation
- 2397.202 ICHTC** Same as above with Tub Cover
- 2396.202 IPB** (Polished Brass Trim)
Left Hand Outlet
- 2396.202 IPBTC** Same as above with Tub Cover
- 2397.202 IPB** (Polished Brass Trim)
Right Hand Outlet
- 2397.202 IPBTC** Same as above with Tub Cover
- 2396.202 IBS** (Brushed Satin Trim)
Left Hand Outlet
- 2396.202 IBSTC** Same as above with Tub Cover
- 2397.202 IBS** (Brushed Satin Trim)
Right Hand Outlet
- 2397.202 IBSTC** Same as above with Tub Cover
 - Lift and turn drain stopper assembly included with bath
 - Escutcheon included and installed on bath
 - Acid resistant porcelain finish
 - Recess bath with integral apron and tiling flange
 - Integral lumbar support
 - Beveled headrest
 - Extra wide ledge for placement of toiletries
 - Full slip-resistant coverage
 - End drain outlet
 - Integral base

Nominal Dimensions:

1524 x 864 x 445mm
(60" x 34" x 17-1/2")

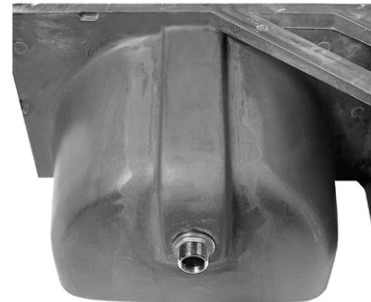
Bathing Well Dimensions:

1423 x 635 x 337mm
(56" x 25" x 13-1/4")

Compliance Certifications -

Meets or Exceeds the Following Specifications:

- ASME A112.19.4 for Americast Plumbing Fixtures
- ASTM F-462 for Slip-resistant Bathing Facilities
- ANSI Z124.1 Ignition Test
- ASTM E162 for Flammability
- NFPA 258 for Smoke Density



Photograph details integral overflow and drain assembly. Drain assembly included with bath.

To Be Specified:

- Color:
- Bath Filler: (specify finish)
- Bath Drain: (included)

To Be Specified - Optional:

- Pressure Test Kit†: 791363-0070A

*See faucet section for additional models available

† When system pressure test is required, the pressure test kit is necessary to seal overflow and perform test.

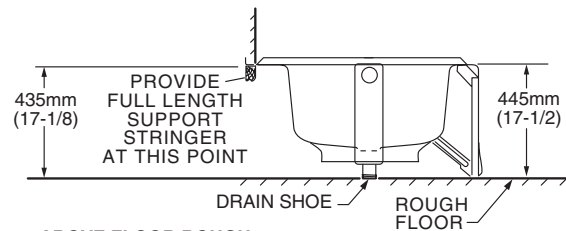
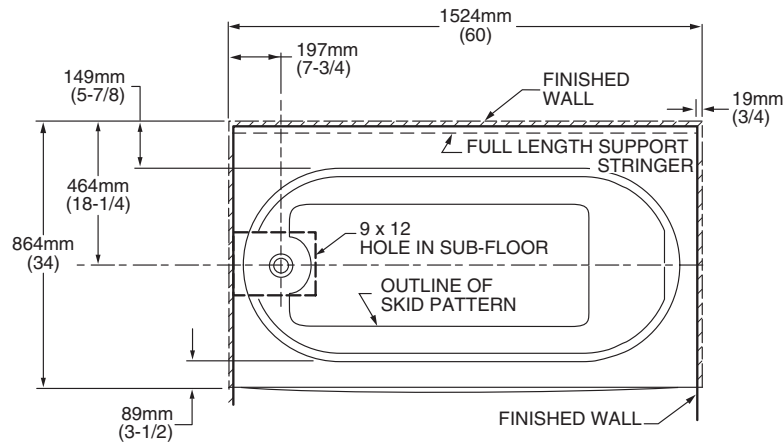
Americast® brand engineered material is a composition of porcelain bonded to enameling grade metal, bonded to a patented structural composite.



MEETS THE AMERICANS WITH DISABILITIES ACT GUIDELINES AND ANSI A117.1 REQUIREMENTS FOR ACCESSIBLE AND USEABLE BUILDING FACILITIES-CHECK LOCAL CODES. INSTALL WITH SEAT AT HEAD END.

SEE REVERSE FOR PRODUCT DIMENSIONS AND SPECIFICATIONS

PRINCETON™ RECESS BATH W/ LUXURY LEDGE AND INTEGRAL OVERFLOW
AMERICAST® BRAND ENGINEERED MATERIAL

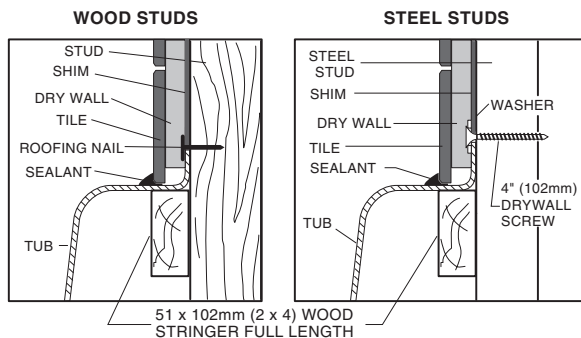


ABOVE FLOOR ROUGH
 2396.202 INTEGRAL OVERFLOW
 2397.202 INTEGRAL OVERFLOW

**LEFT HAND TUB ILLUSTRATED
 RIGHT TUB IS REVERSED**

GENERAL SPECS FOR 2396/2397 ICH, IBS, IPB BATHING POOL	
INSTALLED SIZE	60 x 34 x 17-1/2 In. (1524 x 864 x 445mm)
WEIGHT	127 Lbs. (58 Kg.)
WEIGHT w/WATER	477 Lbs. (217 Kg.)
GAL. TO OVERFLOW	42 Gal. (159 L)
BATHING WELL AT SUMP	42 x 19 In. (1067 x 483mm)
BATHING WELL AT RIM	56 x 25 In. (1423 x 635mm)
WATER DEPTH TO OVERFLOW	9-1/2 In. (241mm)
FLOOR LOADING (PROJECTED AREA)	34 Lbs./Sq.Ft. (163 Kgs./Sq.m)
PTS.	8.1
CUBE (FT ³)	24.1

Below is shown typical cross sections of the tub rim showing typical wall constructions.



NOTES:

LEFT HAND OUTLET SHOWN, RIGHT HAND REVERSE DIMENSIONS. (2397.202.ICH).

DRAIN AND OVERFLOW ESCUTCHEON INCLUDED WITH BATH. REFER TO INSTALLATION INSTRUCTIONS SUPPLIED WITH BATH FOR DRAIN INSTALLATION

BATH FAUCET NOT INCLUDED AND MUST BE ORDERED SEPARATELY.

REFER TO INSTALLATION INSTRUCTIONS SUPPLIED WITH FITTING.

CONCEALED PIPING NOT FURNISHED.

PROVIDE SUITABLE REINFORCEMENT FOR ALL WALL SUPPORTS.

■ REFER TO INSTALLATION INSTRUCTIONS SUPPLIED WITH BATH.

IMPORTANT: Dimensions of fixtures are nominal and may vary within the range of tolerances established by ANSI Standard A112.19.4 These measurements are subject to change or cancellation. No responsibility is assumed for use of superseded or voided leaflet.