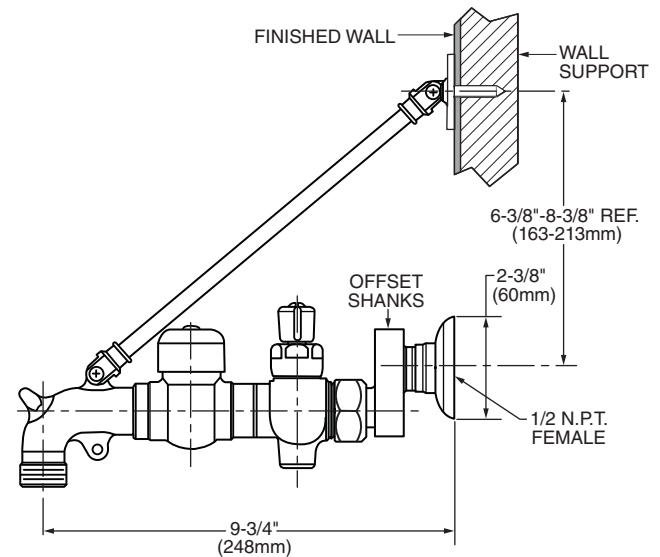
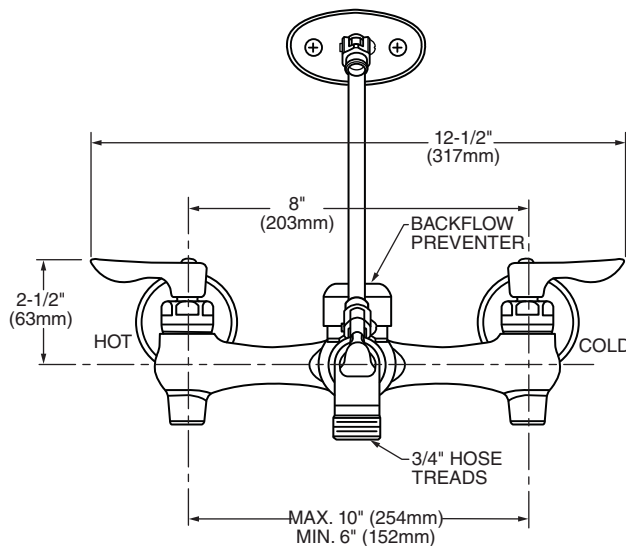
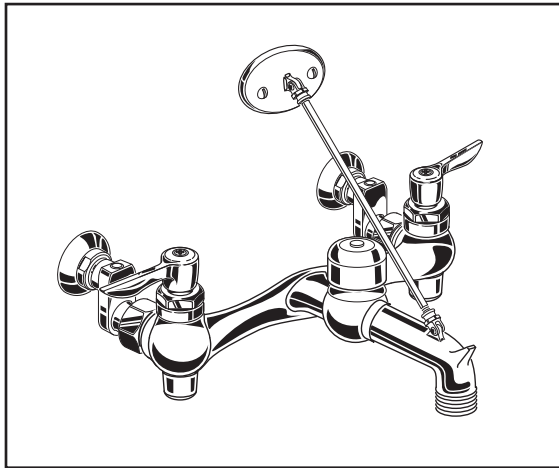


EXPOSED YOKE WALL-MOUNT UTILITY FAUCET

WITH TOP BRACE & OFFSET SHANKS



GENERAL DESCRIPTION:

Cast brass body. Metal lever handles with hot and cold indicators and vandal-resistant screws. 1/4 turn ceramic disc valve cartridges. Vacuum breaker prevents back flow. Integral service stops. Offset shanks with integral check valves to prevent cross-flow. Spout, top braced to wall, with bucket hook and threaded hose end. 1/2" female inlets with adjustable centers from 6" to 10" (152mm - 254mm).

PRODUCT FEATURES:

Cast Brass Construction: Durable - Excellent in high use applications.

Ceramic Disc Valve Cartridges: Assure a lifetime of drip-free performance.

Vacuum Breaker: Prevents back flow.

Integral Supply Stops: Permits easy and convenient access.

Offset Shanks with Integral Check Valves: Adjustable rough-in from 6 to 10 inches.

Top Brace: Provides additional support.

Choice of Finishes: Available in Polished Chrome (002) or Rough Chrome (004).

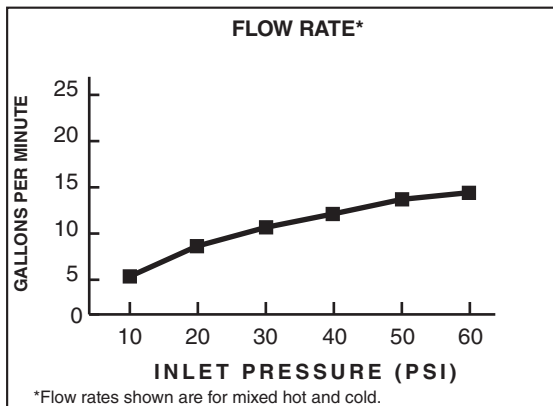
SUGGESTED SPECIFICATION

Exposed yoke wall-mount utility faucet shall feature a cast brass body with integral supply stops. Cast brass spout with bucket hook, top brace, and vandal-resistant metal lever handles. Shall feature vacuum breaker to prevent back flow. Offset shanks with integral check valves to prevent cross-flow, provide adjustable rough-in from 6"-10" (152mm - 254mm). Shall also feature 1/4 turn washerless ceramic disc valve cartridges. Fitting shall be American Standard Model # 8354.112. ____.


CODES AND STANDARDS

These products meet or exceed the following codes and standards:

- ASME A112.18.1
- CSA B 125
- ANSI A117.1



Product Number	Description	Finish Options	
		Polished Chrome 002	Rough Chrome 004
8354.112	Exposed yoke wall-mount utility faucet. Ceramic disc valves. Integral supply stops. Offset shanks with integral check valves. Vandal-resistant lever handles.		

 Meets the American Disabilities Act Guidelines and **ANSI A117.1** Requirements for the physically challenged.