

T105.502 Bath/Shower Trim Shown

MODEL NUMBER:

TRIM KIT:

- T105.502 Studio S BATH/SHOWER Trim Kit**
Metal Lever Handle. LESS Valve Body.
- T105.501 Studio S SHOWER ONLY Trim Kit**
Metal Lever Handle. LESS Valve Body.
- T105.500 Studio S VALVE ONLY Trim Kit**
Metal Lever Handle. LESS Valve Body.

*For use with R111 Series Pressure Balance Valves.
See reverse side for available Rough Valves.*

GENERAL DESCRIPTION:

SHOWERHEAD

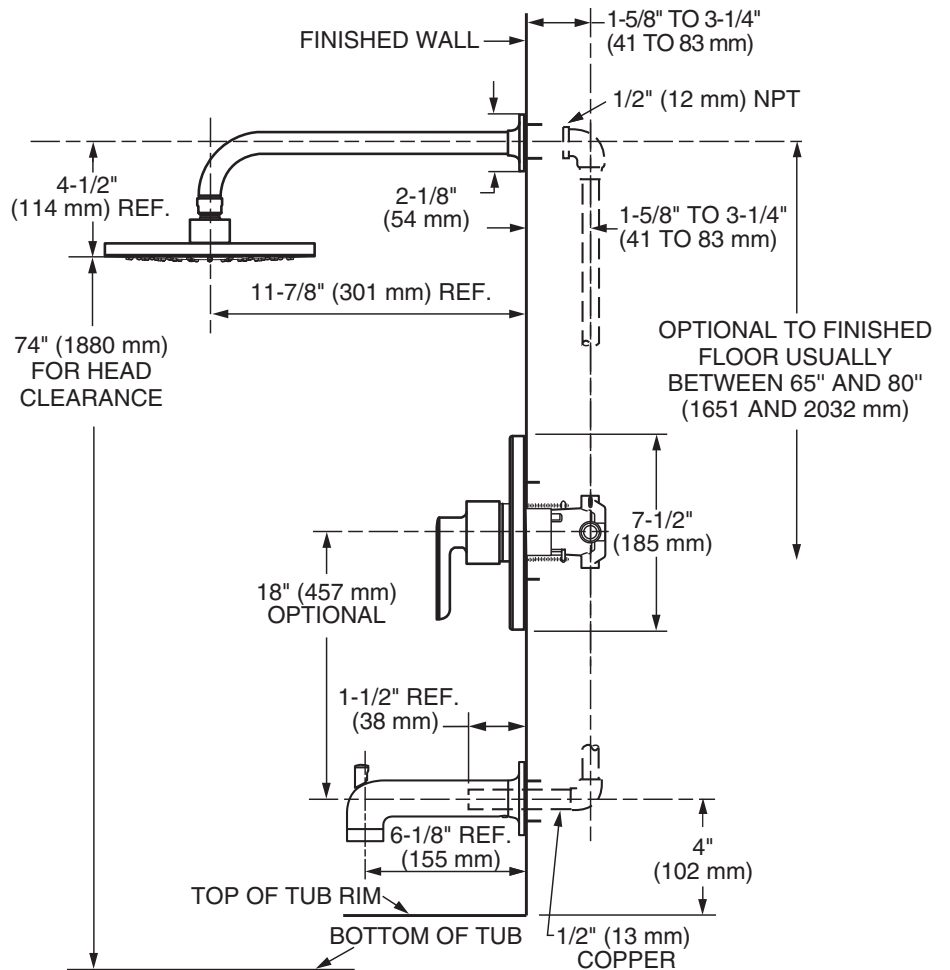
Modern Rain Showerhead at maximum 2.5 gpm/9.5 L/min. flow rate.

WALL TUB SPOUT

Metal slip-on diverter spout.

WALL VALVE TRIM

Available with metal lever handle.
Metal wall escutcheon.



ADA COMPLIANT

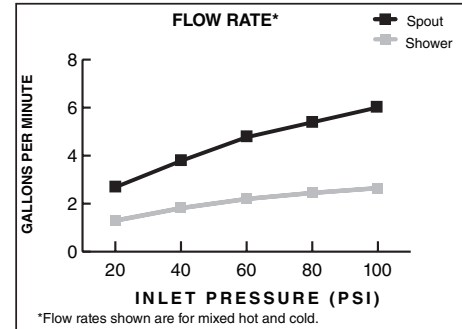
SUGGESTED SPECIFICATION

Bath/shower fitting shall feature modern rain showerhead with Max. 2.5 gpm/9.5 L/min. flow rate. Fitting shall be: American Standard - Trim Kit Model # T105.50_._ and Valve Body Model #R11_.

CODES AND STANDARDS

These products meet or exceed the following codes and standards:

- ANSI A 117.1
- ASSE 1016
- ASME A112.18.1
- CSA B 125.1



TRIM KITS *	Product Number	Description	* TRIM & ROUGH MUST BE ORDERED SEPARATELY.		Finish Options	
			ADA		Polished Chrome	PVD Brushed Nickel
					002	295
T105.502	Bath/Shower Trim Kit. Metal Lever Handle. LESS Valve Body.	ADA				
T105.501	Shower Only Trim Kit. Metal Lever Handle. LESS Valve Body.	ADA				
T105.500	Valve Trim Only . Metal Lever Handle. LESS Valve Body.	ADA				

ROUGH VALVE BODIES	Product Number	Description
	R111	Rough Valve Body less trim. Universal inlets/outlets.
	R111SS	Rough Valve Body less trim. Universal inlets/outlets with Screwdriver Stops.
	R115	Rough Valve Body less trim. Female Thread inlets/outlets.
	R115SS	Rough Valve Body less trim. Female Thread inlets/outlets with Screwdriver Stops.
	R117	Rough Valve Body less trim. PEX inlets/universal outlets for Crimp Ring PEX system (ASTM F1807).
	R117SS	Rough Valve Body less trim. PEX inlets/universal outlets for Crimp Ring PEX system (ASTM F1807) with Screwdriver Stops.
	R118	Rough Valve Body less trim. PEX inlets/universal outlets for Cold Expansion PEX system (ASTM F1960).
	R118SS	Rough Valve Body less trim. PEX inlets/universal outlets for Cold Expansion PEX system (ASTM F1960) with Screwdriver Stops.
	R119	Rough Valve Body less trim. CPVC inlets/universal outlets.
R119SS	Rough Valve Body less trim. CPVC inlets/universal outlets with Screwdriver Stops.	

ADA Meets the American Disabilities Act Guidelines and ANSI A117.1 Requirements for the physically challenged.