

29 307

PLUS

4-HOLE SINGLE-HANDLE DECK MOUNT ROMAN TUB FAUCET WITH 1.75 GPM HAND SHOWER

*Pure Freude
an Wasser*



STANDARD SPECIFICATION:

- GROHE StarLight®
- 8 5/16" Spout reach
- 4 3/8" Aerator height
- 79" Metal shower hose
- CALGreen/CEC compliant
- Euphoria Cube® hand shower, 1.75gpm



PRODUCT FEATURES:



GROHE StarLight®



GROHE SilkMove®

CERTIFICATIONS:



- CEC Certified
- CALGreen Compliant
- Massachusetts Plumbing Board Approved
- Energy Policy Act of 1992
- CSA B125.1
- ASME A112.18.1

AVAILABLE FINISHES:

29307003



GROHE StarLight® Chrome

29307EN3



Brushed Nickel InfinityFinish™

NOTE: Install this product according to the installation guide. ADA, CSA compliant when installed to the specific requirements of these regulations.

We reserve the right to make revisions without notice to product specifications. 10-03-2023

US
Tel: 1.630.582.7711 Fax: 1.630.582.7722
For the most current Specification Sheet,
go to www.grohe.us.

Canada
Tel: 1.888.644.7643 Fax: 1.905.366.2071
For the most current Specification Sheet,
go to www.grohe.ca.

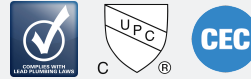
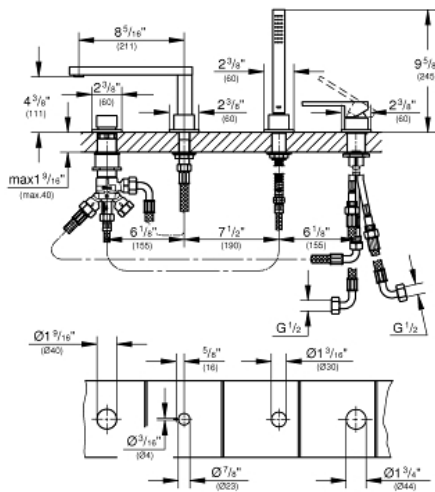
PART OF LIXIL

GROHE PLUS Four-Hole Bathtub Faucet with Handshower

MODEL # 29307EN3

Pure Freude
an Wasser

GROHE



Product Description:

GROHE PLUS

Four-Hole Bathtub Faucet with Handshower

Standard Specification:

- GROHE SilkMove 1.4" (35 mm) ceramic cartridge
- With temperature limiter
- GROHE StarLight finish
- Pre-assembled spout laminar mousseur
- Single lever valve operating element
- Metal lever handle
- Bath/shower diverter
- Hand shower Euphoria Cube 1.75 gpm (6.6 l/min)
- 79" (2000mm) metal shower hose
- Stainless steel flex lines
- Connection for shower hose
- Check valve included to prevent backflow
- Can be used with 29 037 001
- Min. recommended pressure: 15 psi (1.0 bar)

Applicable Codes & Standards:

- Energy Policy Act of 1992
- ASME A112.18.1/CSA B125.1
- CalGreen
- LOGO CEC

Color:

- 29307EN3 Brushed Nickel InfinityFinish

29 307

PLUS

4-HOLE SINGLE-HANDLE DECK MOUNT ROMAN TUB FAUCET WITH 1.75 GPM HAND SHOWER

*Pure Freude
an Wasser*



TECHNICAL DATA:

Product Height	9-5/8 in
Product Length	9-1/2 in
Product Width	22-1/8 in
Fitting Spout Height	4-3/8 in
Fitting Spout Reach	8-13/16 in
GPM (Min)-GPM (Max)	1.75 GPM

