

35 115

GROHSAFE™ 3.0

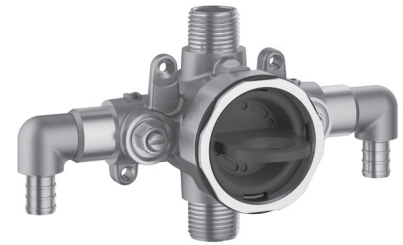
PRESSURE BALANCE ROUGH-IN VALVE

Pure Freude
an Wasser



STANDARD SPECIFICATION:

- 1/2" PEX crimp (ASTM F1807) Elbow inlets
- 1/2" Universal outlets
- Includes plug for 3-port installation
- Flush plug included
- Valve can be rotated 180° to accommodate floor or ceiling supplies
- Made of DZR Brass
- Service stops
- Can be tested using flush plug with air (200psi) or water (300psi).
- Cartridge ships with the trim



PRODUCT FEATURES:



CERTIFICATIONS:

- Massachusetts Plumbing Board Approved
- ASSE 1016
- CSA B125.1
- CSA B125.16
- ASME A112.18.1
- ASME A112.1016

AVAILABLE FINISHES:

35115000 No Finish

NOTE: Install this product according to the installation guide. ADA, CSA compliant when installed to the specific requirements of these regulations.

We reserve the right to make revisions without notice to product specifications. 12-15-2021

US
Tel: 1.630.582.7711 Fax: 1.630.582.7722
For the most current Specification Sheet,
go to www.grohe.us.

Canada
Tel: 1.888.644.7643 Fax: 1.905.366.2071
For the most current Specification Sheet,
go to www.grohe.ca.

PART OF **LIXIL**

35 115

GROHSAFE™ 3.0

PRESSURE BALANCE ROUGH-IN VALVE

Pure Freude
an Wasser

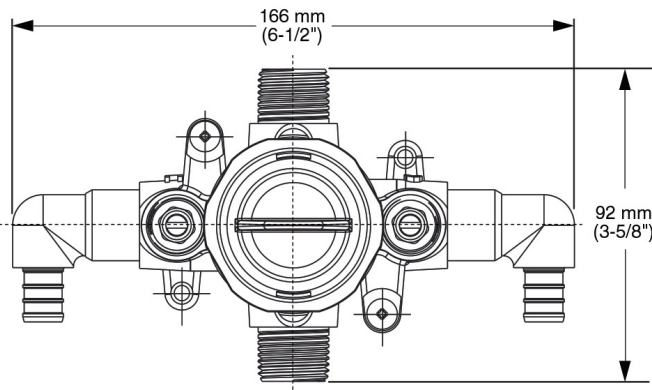


TECHNICAL DATA:

35 115 000

INLETS
1/2" CRIMP PEX
(ASTM F1807-2)

OUTLETS
1/2" NOM.
COPPER SWEAT
or 1/2" NPT



SIDE VIEW

