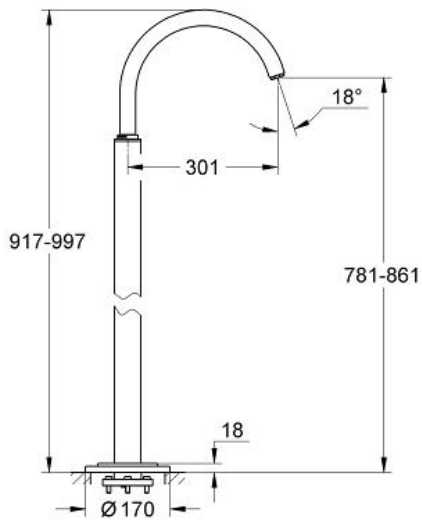
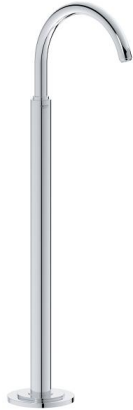


ATRIO

MODEL # 13216001

Pure Freude
an Wasser

GROHE



Product Description:
ATRIO

Standard Specification:

- Requires Rough-In Set (29 038 001) (sold separately)
- Swivel tubular C-spout with flow control
- **GROHE StarLight** chrome finish
- Min. recommended pressure: 15 psi (1.0 bar)
- Max Flow Rate 7 gpm at 45 psi (26.5 L/min)

Applicable Codes & Standards:

- Energy Policy Act of 1992
- ASME A112.18.1/CSA B125.1

Color:

- 13216001 StarLight Chrome