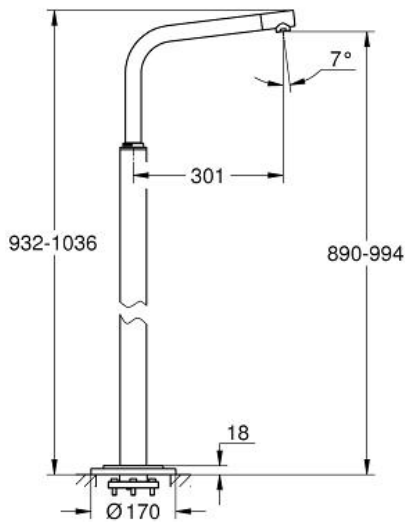


ATRIO

MODEL # 13228001

Pure Freude
an Wasser

GROHE



Product Description:
ATRIO

Standard Specification:

- Requires Rough-In Set (29 038 001) (sold separately)
- Swiveling
- Flow control
- Total height 40 1/2"
- **GROHE StarLight** chrome finish
- Min. recommended pressure: 15 psi (1.0 bar)
- Max Flow Rate 7 gpm at 45 psi (26.5 L/min)

Applicable Codes & Standards:

- Energy Policy Act of 1992
- ASME A112.18.1/CSA B125.1

Color:

- 13228001 StarLight Chrome