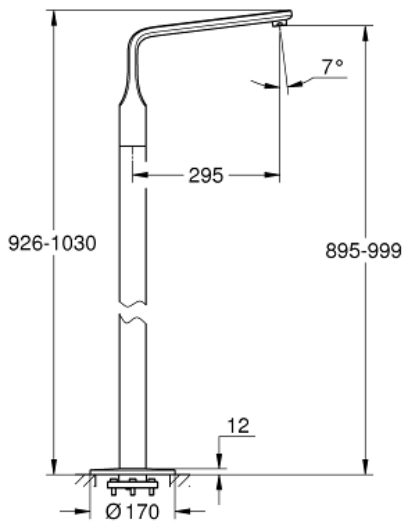


VERIS

MODEL # 13245000

Pure Freude  
an Wasser

GROHE



**Product Description:**  
VERIS

**Standard Specification:**

- Requires Rough-In Set (29 038 001) (sold separately)
- **GROHE StarLight** chrome finish
- Spout with flow control
- 11 5/8" spout reach
- Max Flow Rate 7 gpm at 45 psi (26.5 L/min)

**Applicable Codes & Standards:**

- Energy Policy Act of 1992
- ASME A112.18.1/CSA B125.1

**Color:**

- 13245000 StarLight Chrome