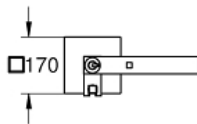
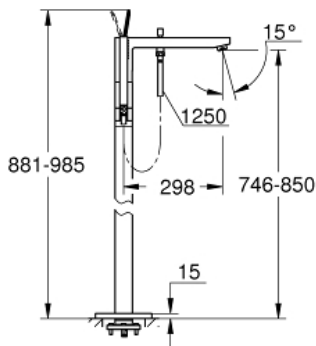


EUROCUBE JOY  
Floor Standing Tub Filler  
MODEL # 23667000

Pure Freude  
an Wasser

GROHE



**Product Description:**  
EUROCUBE JOY  
Floor Standing Tub Filler

**Standard Specification:**

- Final installation set for:
- Rough-In Set (29 038 001)
- Requires Rough-In Set (29 038 001) (sold separately)
- **GROHE StarLight** finish
- Automatic diverter: bath/shower
- Spout with flow control
- 11 3/4" spout reach
- 1/2" (13mm) Integrated non-return valve in the shower outlet
- With shower holder
- Euphoria Cube hand shower (27 699) 2.5 gpm, 1 spray
- 49" (1250mm) SilverFlex shower hose (28 362 000)
- Check valve included to prevent backflow

**Applicable Codes & Standards:**

- Energy Policy Act of 1992
- ASME A112.18.1/CSA B125.1
- US Federal and State material regulations
- ICC/ANSI A117.1

**Color:**

- 23667000 StarLight Chrome