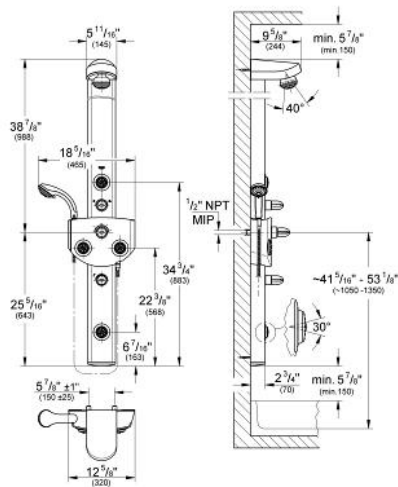


Shower System

MODEL # 27010000

Pure Freude
an Wasser

GROHE



Product Description:

Shower System

Standard Specification:

- Wall mount

Profile:

- Silver aluminium profile
- Thermostat covers
- Shower head and profiled cap made of plastic
- Thermostat cover with integrated shelf and hand shower holder

Showers:

- 1 Relexa Plus Top 4 shower head
- 4 adjustable body sprays with pre-adjustable flow rates
- Relexa plus Top 4 hand shower (28 179)
- All showers are equipped with **SpeedClean**
- Relexaflex 59" hose (28 151)

Fittings:

- Pre-assembled installation unit
- 1 Thermostat with higher flow rate
- 1/2" Aquadimmer to select hand shower or showerhead
- 1 Shut-off valve
- With high output for the use of the side showers
- Direct installation to S-unions (included)

Color:

- Aluminium profile silver eloxal
- Silver metallic covers
- Chrome fittings and showers
- Chrome / gold fittings and showers
- Not suitable for instantaneous heater
- **GROHE StarLight** chrome finish

Applicable Codes & Standards:

- Energy Policy Act of 1992
- ASME A112.18.1/CSA B125.1

Color:

- 27010000 StarLight Chrome