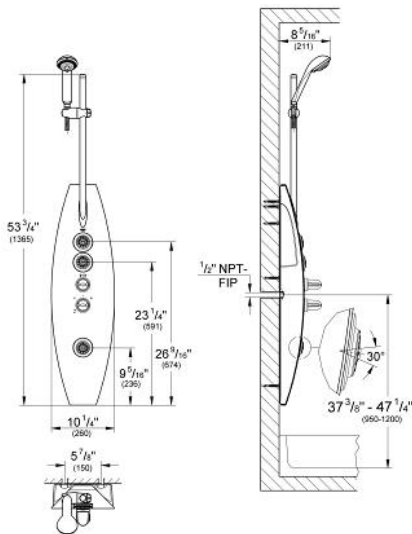


Shower System

MODEL # 27018000

Pure Freude
an Wasser



Product Description:

Shower System

Standard Specification:

- Wall mount

Profile:

- Stand alone shower bar with holder and handshower
- Silver aluminium profile
- Deposits behind the panel

Showers:

- 1 Relaxa Cosmopolitan Top 4 1/2" handshower (28 255)
- 3 large adjustable body sprays (30° adjustability)
- All showers are equipped with **SpeedClean**
- RelaxaFlex 69" plastic shower hose (28 154)

Fittings:

- Pre-assembled installation unit
- 1 x 1/2" Thermostat with higher flow rate
- 1/2" Aquadimmer to select hand and/or side showers
- Direct installation to elbow connections (included)

Color:

- Aluminium profile
- Fittings, showers, shower bar and shower hose in chrome
- Suitable for instantaneous heater
- **GROHE StarLight** chrome finish
- Max Flow Rate 2.5 gpm at 45 psi (9.5 L/min) per each shower outlet

Applicable Codes & Standards:

- Energy Policy Act of 1992
- NSF 61
- ASME A112.18.1/CSA B125.1
- LOGO NSF

Color:

- 27018000 StarLight Chrome

