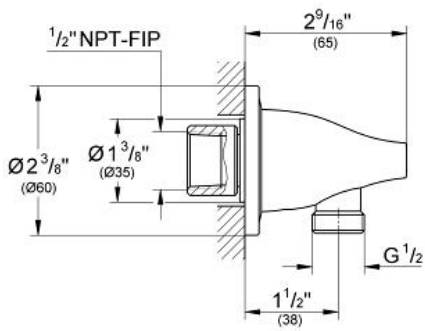


GROHE ONDUS
Shower Outlet Elbow
MODEL # 27197000

Pure Freude
an Wasser

GROHE



Product Description:
GROHE ONDUS
Shower Outlet Elbow

Standard Specification:

- Check valve included to prevent backflow

Applicable Codes & Standards:

- Energy Policy Act of 1992
- ASME A112.18.1/CSA B125.1

Color:

- 27197000 StarLight Chrome