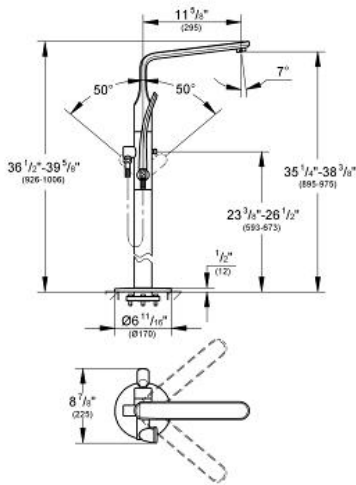


VERIS
Floor Standing Tub Filler
MODEL # 32225001

Pure Freude
an Wasser

GROHE



Product Description:

VERIS

Floor Standing Tub Filler

Standard Specification:

- Final installation set for:
- Requires Rough-In Set (29 038) (sold separately)
- Requires Rough-In Set (29 038 001) (sold separately)
- **GROHE SilkMove** ceramic cartridge
- **GROHE StarLight** chrome finish
- Swivel tubular spout with flow control and stop limiter
- 1/2" (13mm) Integrated non-return valve in the shower outlet
- Automatic diverter: bath/shower
- With shower holder
- GROHE Ondus hand shower 27 185 000
- 59" shower hose
- Check valve included to prevent backflow
- Requires Rough-In Set (29 038)
- Max Flow Rate 2.2 gpm at 60 psi (8.3 L/min); 2.5 gpm at 80 psi (9.5 L/min) for hand shower

Applicable Codes & Standards:

- Energy Policy Act of 1992
- ASME A112.18.1/CSA B125.1
- ICC/ANSI A117.1

Color:

- 32225001 StarLight Chrome