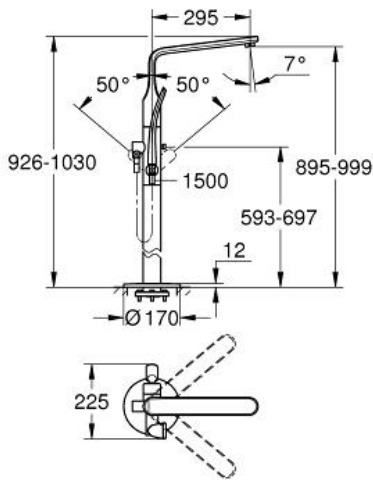


VERIS  
 Floor Standing Tub Filler  
 MODEL # 32222001

Pure Freude  
 an Wasser



**Product Description:**  
 VERIS  
 Floor Standing Tub Filler

**Standard Specification:**

- Requires Rough-In Set (29 038 001) (sold separately)
- GROHE SilkMove ceramic cartridge
- GROHE StarLight chrome finish
- Automatic diverter: bath/shower
- Swivel tubular spout with flow control and stop limiter
- 11 5/8" spout reach
- 1/2" (13mm) Integrated non-return valve in the shower outlet
- With shower holder
- Check valve included to prevent backflow
- Min. recommended pressure: 15 psi (1.0 bar)
- Max Flow Rate 2.2 gpm at 60 psi (8.3 L/min); 2.5 gpm at 80 psi (9.5 L/min) for hand shower

**Applicable Codes & Standards:**

- Energy Policy Act of 1992
- ASME A112.18.1/CSA B125.1
- ICC/ANSI A117.1

**Color:**

- 32222001 StarLight Chrome

