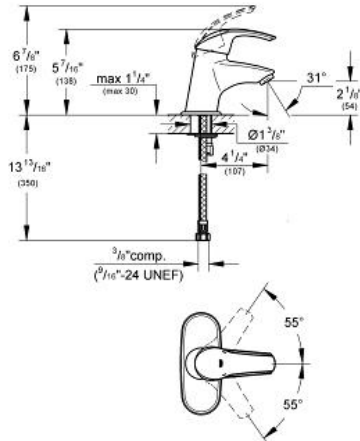


EUROSMART
Single-Handle Bathroom Faucet S-
Size

MODEL # 32710001

Pure Freude
an Wasser

GROHE



Product Description:

EUROSMART

Single-Handle Bathroom Faucet S-Size

Standard Specification:

- GROHE StarLight finish
- GROHE WaterCare
- GROHE SilkMove ceramic cartridge
- Single Lever handle
- Stainless steel braided flexible supplies
- Solid brass body
- Quick installation system
- 6" escutcheon
- Max Flow Rate: 1.5 gpm (5.7 L/min)

Applicable Codes & Standards:

- Energy Policy Act of 1992
- NSF 61
- ASME A112.18.1/CSA B125.1
- US Federal and State material regulations
- EPA WaterSense®
- ICC/ANSI A117.1
- LOGO NSF

Color:

- 32710001 StarLight Chrome