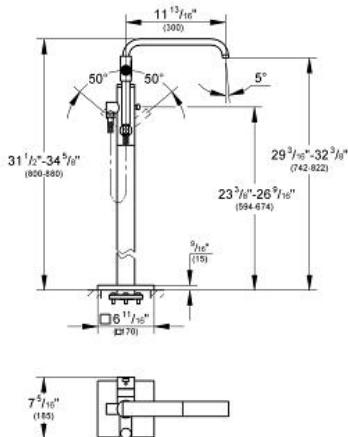
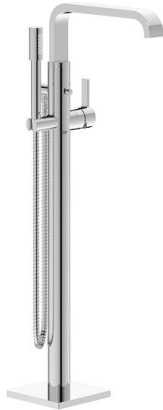


ALLURE  
Floor Standing Tub Filler  
MODEL # 32755001

Pure Freude  
an Wasser



**Product Description:**  
**ALLURE**  
Floor Standing Tub Filler

**Standard Specification:**

- Final installation set for:
- Requires Rough-In Set (29 038) (sold separately)
- **GROHE SilkMove** ceramic cartridge
- **GROHE StarLight** chrome finish
- Automatic diverter: bath/shower
- Swivel tubular spout with flow control and stop limiter
- 1/2" (13mm) Integrated non-return valve in the shower outlet
- With shower holder
- Sena handshower
- 59" shower hose
- Check valve included to prevent backflow
- Max Flow Rate 7 gpm at 45 psi (26.5 L/min), 2.5 gpm at 80 psi (9.5 L/min) for Hand Shower

**Applicable Codes & Standards:**

- Energy Policy Act of 1992
- ASME A112.18.1/CSA B125.1
- ICC/ANSI A117.1

**Color:**

- 32755001 StarLight Chrome