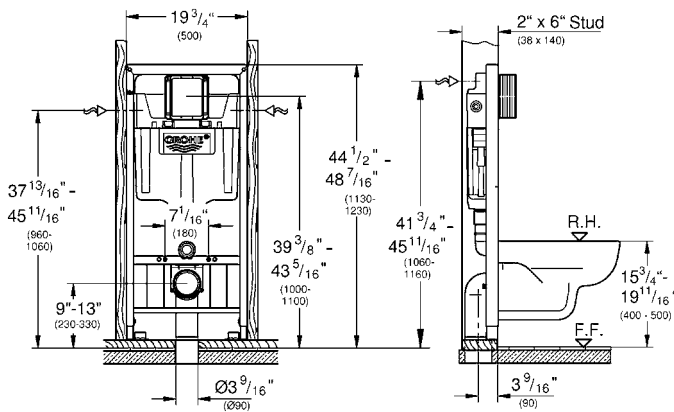


Rapid SL Wall Carrier for Toilet

MODEL # 38749002

Pure Freude
an Wasser

GROHE



Product Description: Rapid SL Wall Carrier for Toilet

Standard Specification:

with vertical support for WC bowls with a bearing area of less than 8"

- Flushing cistern (GD 2)
- **44" installation height**
- For on-the-wall installations or studded walls
- Powder coated self-supporting steel frame
- For dry-cover (completely pre-assembled)
- With fixed connections
- Quick adjustment, lockable
- Mounting material
- TÜV approved
- WC mounting screws (2x)
- Mounting kit for ceramic
- Distance of mounting screws (7" - 9")
- Depth adjustable
- outlet bend Ø 90 mm
- Inlet and outlet connecting set
- Flushing cistern (GD 2) 1.5 - 2.4 gpm
- Adjustment from factory (1.6 gal and .8 gal)
- Pneumatic discharge valve offering: 3 modes of operation: dual flush or start/stop or single flush
- Water supply from left, right, or back
- Low noise (group I acc. to/German Noise Specification)
- Insulated against condensation
- 1/2" water supply connection, includes integrated angle valve with push-fit flexible hose union
- No tools required for the installation of the inspection shaft incl. protection during construction phase
- For vertical or horizontal use
- **Accessories sold separately for-on-the-wall installation**
- For mounting of small flush plates please order revision shaft 40 911 000 (sold separately)

Applicable Codes & Standards:

- Energy Policy Act of 1992
- ASME A112.18.1/CSA B125.1

Color:

□ 38749002