

# 39674000

## ESSENCE

### TWO-PIECE ELONGATED DUAL FLUSH TOILET



#### STANDARD SPECIFICATION:

- Elongated bowl design
- Made of vitreous china in Alpine White
- 12" (305 mm) rough-in
- Siphon action jetted bowl with smooth-sided, concealed trapway
- High efficiency, low consumption 1.28 gpf/4.8 Lpf conserving flush 1.0 gpf/3.8 Lpf
- InfinaBright™ surface coating reduces dirt and bacteria build-up ensuring the surface shines longer
- DreamClean™ Rim scrubs the top to bottom with every flush
- 16-1/2" (419 mm) rim height
- Fully-glazed 2-1/8" (54 mm) trapway
- 3" (76 mm) flush valve
- Includes slow-close telescoping seat
- Chrome top mounted push button actuator
- Color-matched bolt hole covers



#### COMPONENTS:

- 39737000 - Elongated Toilet Seat: Slow-Close, Top-mount, Easy Lift Off, Telescoping
- 39678000 - Tank: 1.0/1.28 gpf 12" rough-in complete with coupling components and tank trim
- 39677000 - Right Height Elongated Bowl with Seat
- 39672000 - Tank Cover

#### APPLICABLE CODES & STANDARDS:

- Complete listing will be available by July 2020



- Watersense
- CEC and CALGreen® Compliant

 CALGreen® is a registered trademark of California Building Standards Commission.

NOTE: Install this product according to the installation guide. ADA, CSA compliant when installed to the specific requirements of these regulations.

**39674000**  
**ESSENCE**  
**TWO-PIECE ELONGATED**  
**DUAL FLUSH TOILET**



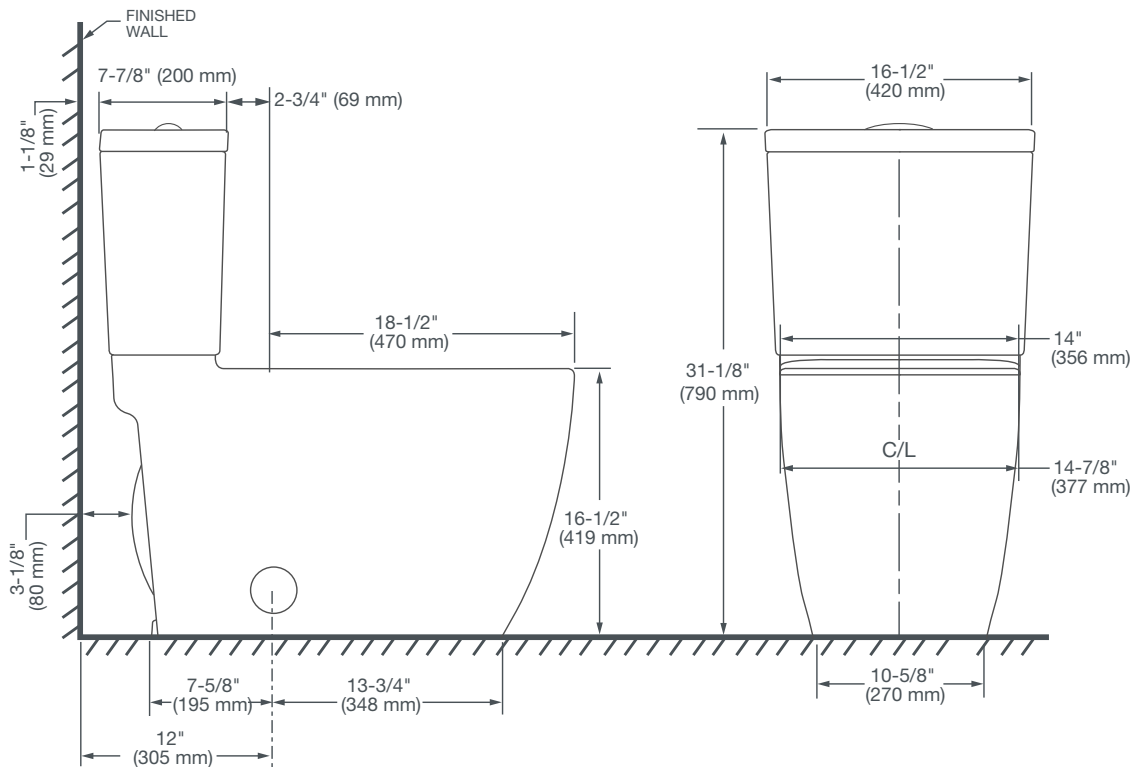
**TECHNICAL DATA:**

**DIMENSIONS:**

NOMINAL DIMENSIONS  
 29-1/2" x 16-9/16" x 31-1/8"  
 (738 x 420 x 790 mm)

WATER SPOT

7-7/8" (200 mm) wide  
 9-1/4" (235 mm) length  
 5-1/2" (140 mm) distance to rim



**NOTES:**

This toilet is designed to rough-in at a minimum dimension of 12" (305 mm) from finished wall to C/L of outlet. Supply not included with fixture and must be ordered separately. Dimensions shown for location of supply is suggested.

**IMPORTANT:**

Dimensions of fixtures are nominal and may vary within the range of tolerance established by ANSI Standard A112.19.2. These measurements are subject to change or cancellation. No responsibility is assumed for use of superseded or voided pages.