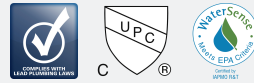
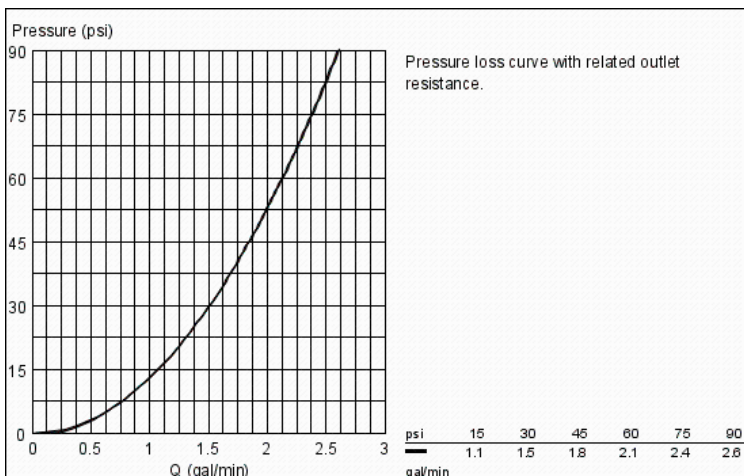
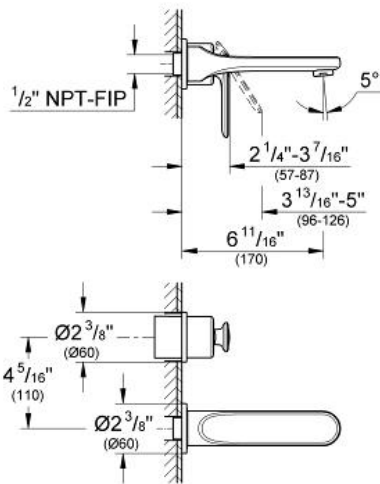


VERIS Single-Hole Two-Handle Bathroom Faucet

MODEL # 19343LSO

Pure Freude
an Wasser

GROHE



Product Description:

VERIS

Single-Hole Two-Handle Bathroom Faucet

Standard Specification:

- Wall mount
- Final installation set for:
 - 32 641
- Without concealed body
- **GROHE StarLight** chrome finish
- Integrated **SpeedClean** flow control
- Separate escutcheons Ø 2 3/8"
- 6 11/16" (170 mm) spout reach
- Center distance 4 5/16" (110 mm)
- Requires Vessel Rough-In Valve (32 641)
- Max Flow Rate: 1.5 gpm (5.7 L/min)
- **GROHE WaterCare**

Applicable Codes & Standards:

- Energy Policy Act of 1992
- NSF 61
- ASME A112.18.1/CSA B125.1
- US Federal and State material regulations
- EPA WaterSense®
- ICC/ANSI A117.1
- LOGO NSF

Color:

- 19343LSO Moon White