

**COLONY® DOUBLE BOWL
STAINLESS STEEL KITCHEN SINK**

☐ **20DB.8312083S.075**

- Colony Double Bowl Sink
- 3 hole
- 8" (203 mm) deep bowl
- 20 Gauge Stainless Steel
- Top Mount Installation
- Side and Bottom Sound Deadening Pads with undercoating
- Includes:
 - (2) 9028000.075 Waste Fittings
 - 791637-100.0070A Top Mount Sink Clips
- Cutout template, installation instructions
- Limited Lifetime Warranty



Nominal Dimensions:

31-3/8" x 20-1/2" x 8"
(797 x 521 x 203 mm)

Bowl Size (equal size bowls):

14" (356 mm) wide
15-3/4" (405 mm) front to back
8" (203 mm) deep

**Compliance Certifications - Meets or Exceeds the
Following Specifications:**

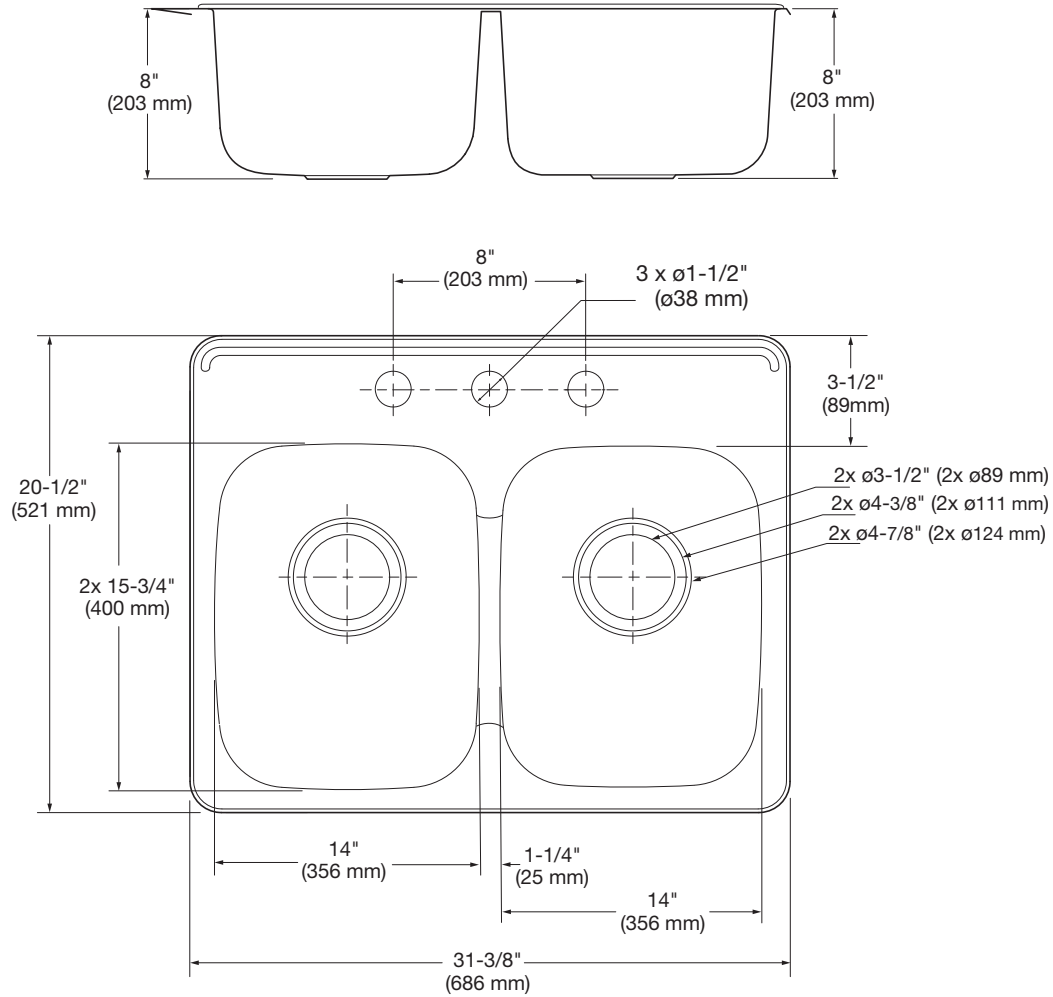
• **SINK:**

ASME A112.19.3/CSA B45.4

SEE REVERSE FOR ROUGHING-IN
DIMENSIONS AND PRODUCT SPECIFICATIONS

To Be Specified:

- ☐ Colour: .075 Stainless Steel



NOTES:

* DIMENSIONS SHOWN FOR LOCATION OF SUPPLIED AND "P" TRAP ARE SUGGESTED.
FITTINGS NOT INCLUDED WITH FIXTURE AND MUST BE ORDERED SEPARATELY.
SEALING COMPOUND SUPPLIED BY OTHERS.

IMPORTANT: Dimensions of fixtures are nominal and may vary within the range of tolerances established by ANSI Standard A112.19.3.
These measurements are subject to change or cancellation. No responsibility is assumed for use of superseded or voided pages.