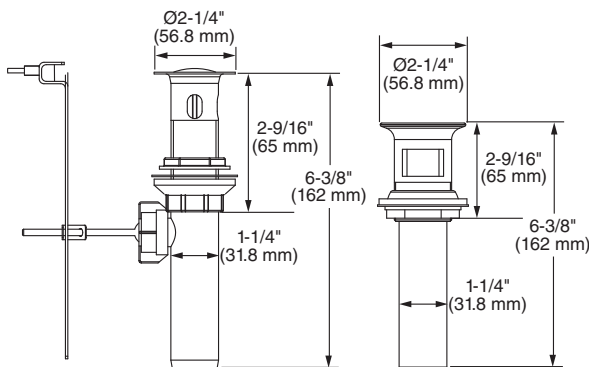
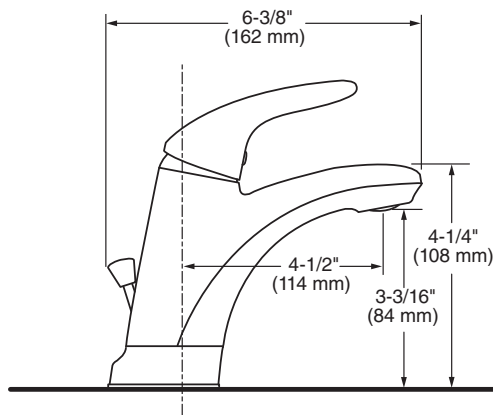


7075000 Shown

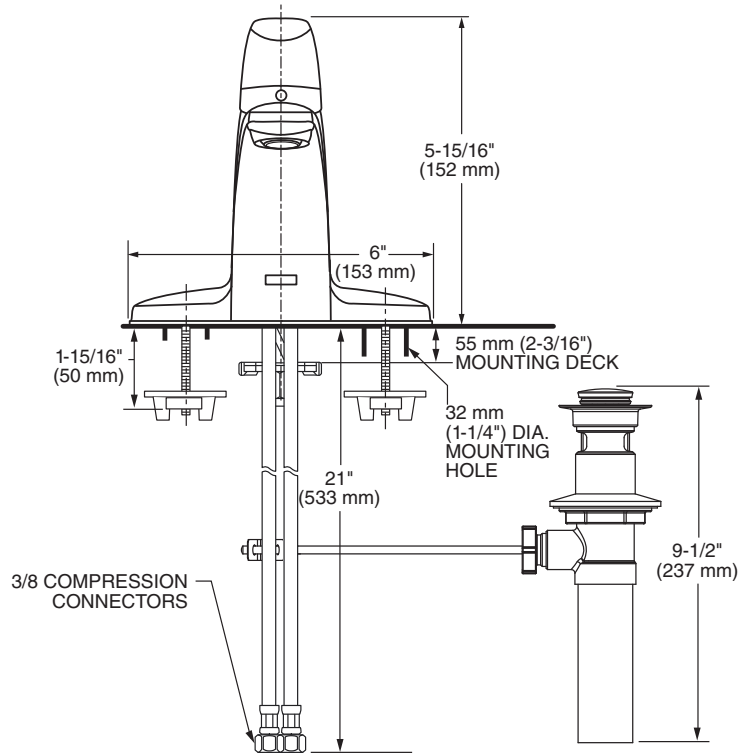


**GENERAL DESCRIPTION:**

Metal body with metal lever handle. Washerless 35 mm ceramic disc valve cartridge with integral hot limit safety stop. 24" Color-coded braided flexible supply hoses with 3/8" compression connections. 1.2 gpm/4.5 L/min. maximum flow rate.

**MODEL NUMBER:**

- 7075000 Single Control Centerset**  
Metal lever handle. Metal pop-up drain.
- 7075002 Single Control Centerset**  
Metal lever handle. 50/50 pop-up drain.
- 7075004 Single Control Centerset**  
Metal lever handle. Less drain, less pop-up hole & rod.
- 7075005 Single Control Centerset**  
Metal lever handle. Less drain. With pop-up hole & rod.
- 7075006 Single Control Centerset**  
Metal lever handle. Grid drain. Less pop-up rod and hole.



**PRODUCT FEATURES:**

**Ceramic Disc Valve Cartridge:** Assures smooth, precise valve control and a lifetime of drip-free, maintenance-free performance.

**Adjustable Hot Limit Safety Stop:** Limits the amount of hot water allowed to mix with cold. Reduces the risk of accidental scalding.

**Lead Free:** Faucet contains ≤ 0.25% total lead content byweighted average.



EPA  
WATERSENSE®  
CERTIFIED

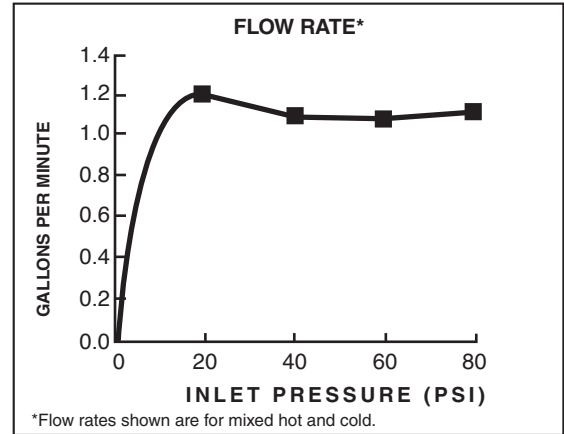
**SUGGESTED SPECIFICATION**

Single control lavatory fitting shall feature a metal body with metal lever handle. Shall feature flexible hose connections. Shall also feature a washerless ceramic disc valve cartridge with integral hot limit safety stop. Fitting shall be American Standard Model # 707500X.....

**CODES AND STANDARDS**

These products meet or exceed the following codes and standards:

- ANSI A117.1**
- ASME A112.18.1**
- CSA B125.1**
- NSF/ANSI/CAN 61: Q<sub>1</sub>≤1**
- NSF/ANSI/CAN 372**



**CEC**

Product Number	Description	ADA	Finish Options			
			Polished Chrome	Legacy Bronze	Brushed Nickel	Matte Black
			002	278	295	243
7075000	Colony PRO Single Control Centerset. Metal lever handle. Metal pop-up drain.	ADA	✓	✓	✓	✓
7075002	Colony PRO Single Control Centerset. Metal lever handle. 50/50 pop-up drain.	ADA	✓	✓	✓	✓
7075004	Colony PRO Single Control Centerset. Metal lever handle. LESS drain, less pop-up hole & rod.	ADA	✓		✓	✓
7075005	Colony PRO Single Control Centerset. Less drain. Metal lever handle. With pop-up hole & rod.	ADA	✓	✓	✓	✓
7075006	Colony PRO Single Control Centerset. Metal lever handle. Grid drain. Less pop-up rod and hole.	ADA	✓			

**ADA** Meets the American Disabilities Act Guidelines and **ANSI A117.1** Requirements for the physically challenged.