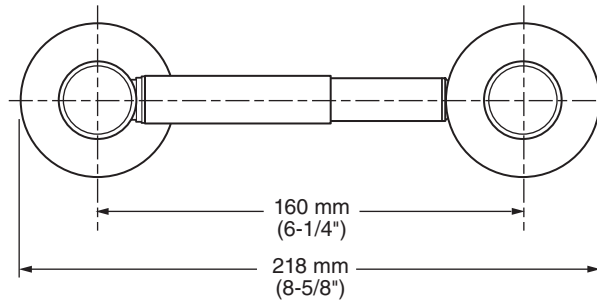
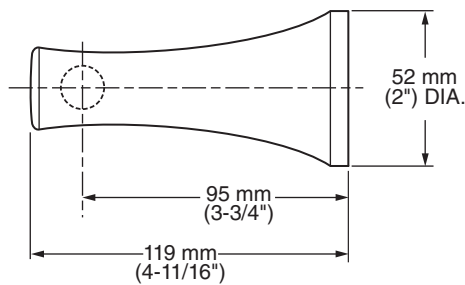


MODEL NUMBER:

□ 8337230 - Toilet Paper Holder

Available Finishes

| | |
|-----|-------------------|
| 002 | Polished Chrome |
| 224 | Oil Rubber Bronze |
| 295 | Satin Nickel |
| 278 | Legacy Bronze |
| 013 | Polished Nickel |
| 243 | Matte Black |



PRODUCT FEATURES:

All Metal Construction: Durable and long-lasting.

Concealed Mounting: No exposed set screws.

Easy to Install

SUGGESTED SPECIFICATION

Toilet Paper Holder shall feature metal construction. Shall feature concealed mounting with no exposed set screws. Toilet Tissue Holder tube shall be Brass tube. Toilet Paper Holder shall be American Standard Model # 8337230._____.