

**ASPIRATIONS ECOSTRENGTH™ UHET
CHAIR HEIGHT ELONGATED TOILET**

250AA809

- EcoStrength's vacuum assisted technology obtains great flush performance using minimal water.
- Combination bowl and tank, less seat
- 12" (305 mm) rough-in
- Chair Height elongated siphon action bowl
- Ultra-high efficiency toilet (UHET) 0.80 gpf/ 3 Lpf
- Meets EPA WaterSense® and MaP Premium criteria
- EverClean® Antimicrobial Surface
- Transitional styling
- Includes EZ-Install Tools
- 17" (432mm) rim height for accessible applications
- 2-1/8" (55 mm) trapway
- Chrome trip lever
- Two color-matched bolt caps
- Limited lifetime warranty on ceramics, limited 5 year warranty on all mechanical parts and limited 1 year warranty on seat (recommend slow-close 5503A00B)

- 250AA808** Same as above except trip lever on right hand side
- 3407A101** Chair Height Elongated Bowl
- 4408A809** UHET Tank

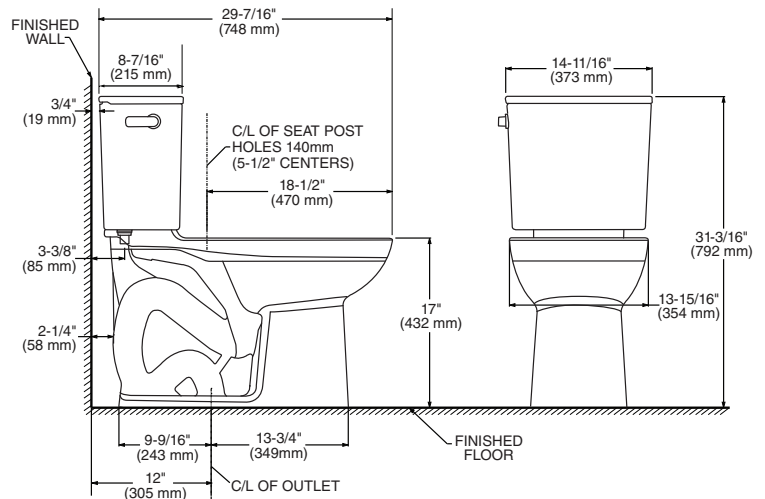
Nominal Dimensions:

29-7/16" x 14-11/16" x 31-3/16"
(748 x 373 x 792mm)

Fixture only, seat and supply sold separately

Alternative Tank Configuration Available:

- 4408A808** Tank complete with trip lever located on right side



NOTES:

THIS COMBINATION IS DESIGNED TO ROUGH-IN AT A MINIMUM DIMENSION OF 305MM (12") FROM FINISHED WALL TO C/L OF OUTLET. * DIMENSIONS SHOWN FOR LOCATION OF SUPPLY ARE SUGGESTED. SUPPLY NOT INCLUDED WITH FIXTURE AND MUST BE ORDERED SEPARATELY.

IMPORTANT: Dimensions of fixtures are nominal and may vary within the range of tolerances established by ANSI Standard A112.19.2. These measurements are subject to change or cancellation. No responsibility is assumed for use of superseded or voided pages.

To Be Specified:

- Color: White
- Seat: #5503A00B Elongated Slow Close solid plastic seat and cover
- Supply with stop:



Meets B651-12 Barrier Free code. Check local codes.



Meets the American Disabilities Act Guidelines and ANSI A117.1 Requirements for the physically challenged.



EVERCLEAN®



EPA
WATERSENSE®
CERTIFIED



WATER
EFFICIENT