

**RAVENNA® 3 SIPHONIC DUAL FLUSH  
RIGHT HEIGHT® ELONGATED COMPLETE  
TOILET WITH AQUAGUARD LINER**

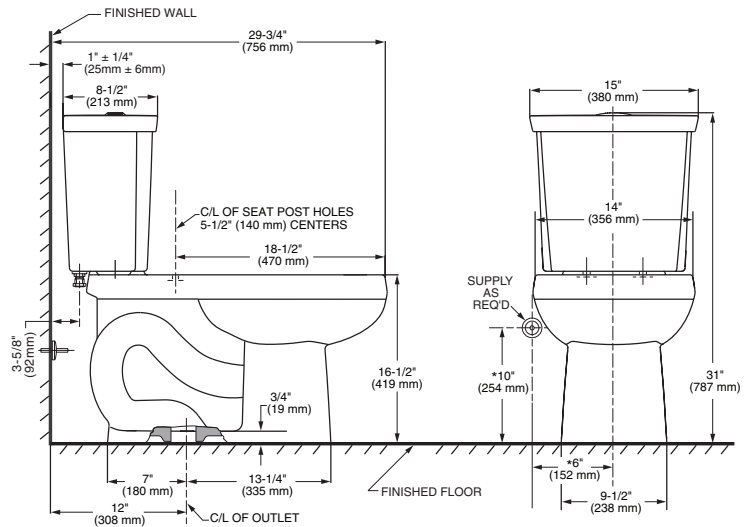
**3383516ST**

- Vitreous china
- High efficiency, low consumption
  - Full Flush (6.0 Lpf/1.6 gpf)
  - Partial Flush (3.8 Lpf/1.0 gpf)
- Elongated siphon action bowl with direct-fed jet
- 16-1/2" Rim height
- Meets EPA WaterSense® criteria
- 305mm (12") rough-in
- Fully glazed 2" Trapway
- Generous 9" x 8" water surface area
- Chrome plated top mounted push button actuator
- Sanitary bar on bowl
- 2 colour matched bolt caps
- Colour-matched plastic toilet seat and cover with EverClean® surface
- Wax ring gasket with closet bolts
- 100% factory flush tested
- 5 Year Limited Warranty on Total Toilet
- Includes AquaGuard Liner



**Nominal Dimensions:**

756 x 380 x 787mm  
(29-3/4" x 15" x 31")



**Compliance Certifications -**

**Meets or Exceeds the Following Specifications:**

- ASME A112.19.2-2008/CSA B45.1-08 for Vitreous China Fixtures
- US EPA WaterSense® Specification for HET's

**NOTES:**

THIS COMBINATION IS DESIGNED TO ROUGH-IN AT A MINIMUM DIMENSION OF 305MM (12") FROM FINISHED WALL TO C/L OF OUTLET. \* DIMENSION SHOWN FOR LOCATION OF SUPPLY IS SUGGESTED. SUPPLY NOT INCLUDED WITH FIXTURE AND MUST BE ORDERED SEPARATELY.

**IMPORTANT:** Dimensions of fixtures are nominal and may vary within the range of tolerance established by ANSI Standard A112.19.2. These measurements are subject to change or cancellation. No responsibility is assumed for use of superseded or voided pages.

**To Be Specified:**

- Colour:  White
- Supply with stop:



WATER  
EFFICIENT



EPA  
WATERSENSE®  
CERTIFIED