

Reliant® Round Front Standard Height Complete Toilet

3332228S

- Vitreous china
- Meets definition for HET (High Efficiency Toilet)
- High Efficiency (1.28 gpf/4.8 Lpf)
- Meets EPA WaterSense® criteria
- Round Front siphon action bowl with direct-fed jet
- Generous 9" x 8" (229 x 203mm) water surface area
- Fully glazed 2" Trapway
- Sanitary dam on bowl with three point tank stabilization
- Chrome trip lever
- Pilot Valve Water Control
- Great flush performance with a 2" (51mm) Flapper flush valve
- 2 colour-matched bolt caps
- Includes colour matched, solid plastic slow-close seat and cover
- Includes wax ring gasket with closet bolts
- 100% factory flush tested
- 2-year warranty, 1-year on seat



Nominal Dimensions:

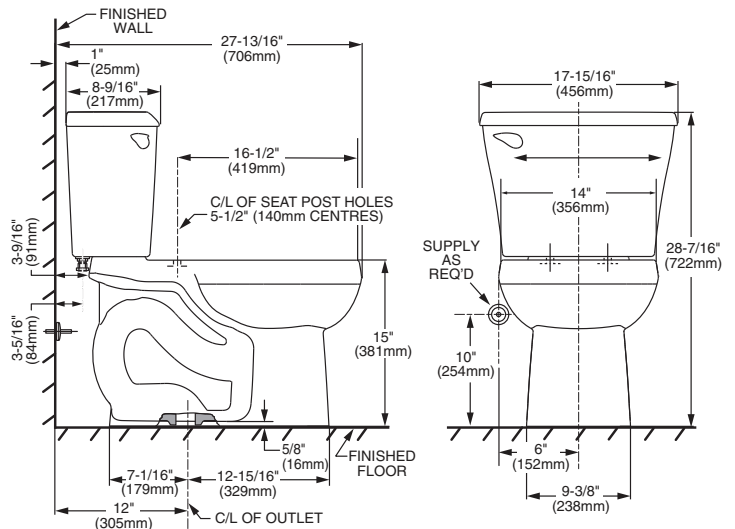
27-13/16" x 17-15/16" x 28-7/16"
(706 x 456 x 722mm)

Supply by others

Compliance Certifications -

Meets or Exceeds the Following Specifications:

- ASME A112.19.2-2008/CSA B45.1-08 for Vitreous China Fixtures
- US EPA WaterSense® Specification for HETs



NOTES:

THIS COMBINATION IS DESIGNED TO ROUGH-IN AT A MINIMUM DIMENSION OF 305MM (12") FROM FINISHED WALL TO C/L OF OUTLET. SUPPLY NOT INCLUDED WITH FIXTURE AND MUST BE ORDERED SEPARATELY.

* DIMENSIONS SHOWN FOR LOCATION OF SUPPLY ARE SUGGESTED.

IMPORTANT: Dimensions of fixtures are nominal and may vary within the range of tolerance established by ASME Standard A112.19.2. These measurements are subject to change or cancellation. No responsibility is assumed for use of superseded or voided pages.

To Be Specified:

- Colour: White
- Supply with Stop:

