

Studio® Shower Base

Product Features:

- High gloss acrylic with fiberglass reinforcement
- Single threshold unit
- Textured shower floor helps increase bathroom safety
- Integral three-sided 1" tall tiling/water retention flange
- Low step-over height for easy access
- Includes shower drain with stainless steel drain plate
- Limited Lifetime warranty



2946.STL shown above

2946STR STUDIO 60" x 32" SHOWER BASE

Right Hand Outlet

2946STL STUDIO 60" x 32" SHOWER BASE

Left Hand Outlet

Nominal Dimensions:

60" x 31-1/4" x 5"

(1524 x 794 x 127mm)

Compliance Certifications -

Meets or Exceeds the Following Specifications:

- CSA B45.5-11 / IAPMO Z124-2011
- cUPC

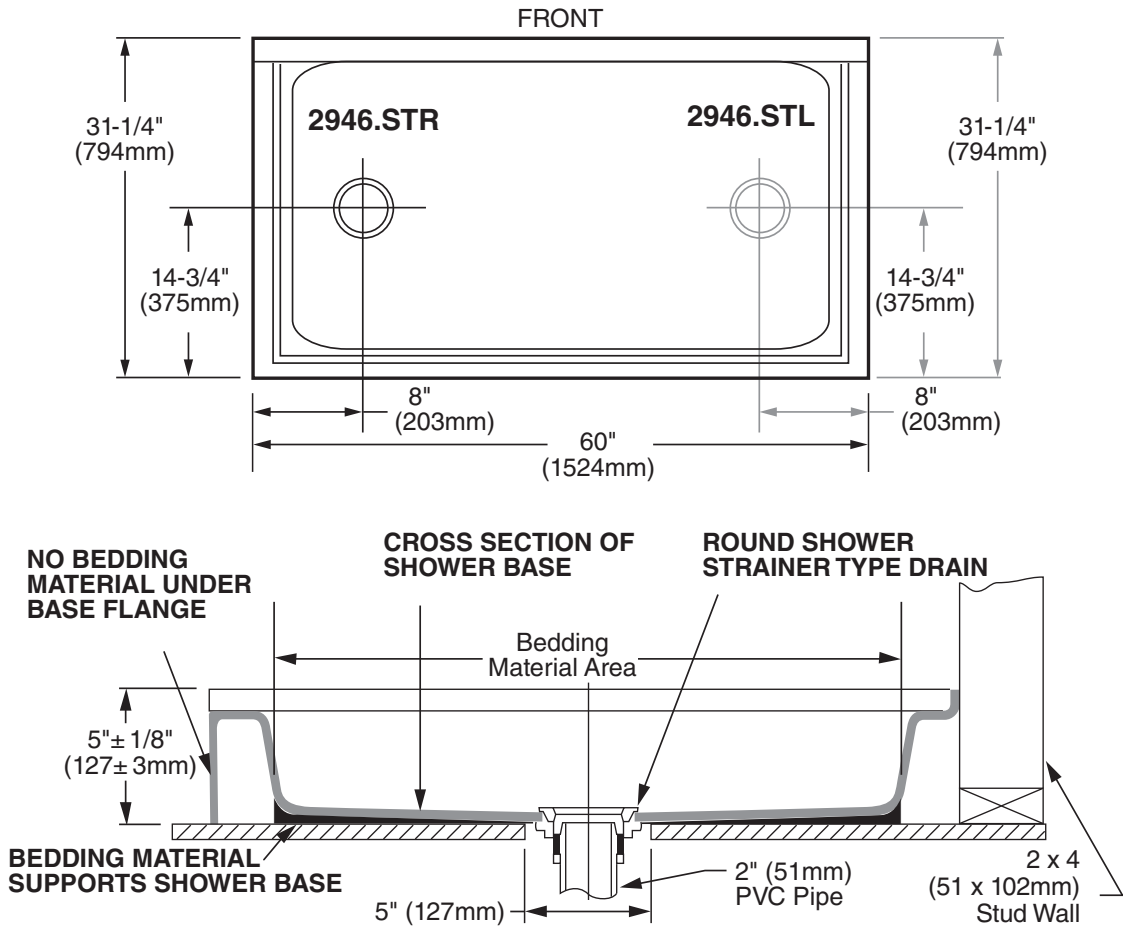
To Be Specified - Required:

- Color:
 - 011 Arctic White
- Shower Faucet:

To Be Specified - Optional:

- Shower Walls: 2946SW.011

SEE REVERSE SIDE FOR ROUGHING-IN DIMENSIONS
AND PRODUCT SPECIFICATIONS



GENERAL SPECIFICATIONS FOR 2946ST SHOWER BASE	
INSTALLED SIZE	1524mm X 813mm X 130mm (60 X 32 X 5 IN.)
WEIGHT	27.7 Kg. (61 LBS.)
SHOWER WELL AT RIM	1118mm X 679mm (44 X 26-3/4 IN.)
FLOOR LOADING (PROJECTED AREA)	23 Kgs/Sq. m. (4.6 LBS./FT. ²)

NOTES:
REFER TO INSTALLATION INSTRUCTIONS SUPPLIED WITH SHOWER BASE FOR ADDITIONAL INFORMATION.

IMPORTANT: Dimensions of fixtures are nominal and may vary within the range of tolerances established by ANSI Standard CSA B45.5-11/APMO Z124-2011. These measurements are subject to change or cancellation. No responsibility is assumed for use of superseded or voided pages.