

7105121

## STUDIO S

STUDIO® S SINGLE HOLE SINGLE-HANDLE BATHROOM FAUCET 1.2 GPM/4.5 L/MIN WITH LEVER HANDLE




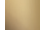
*American  
Standard*

### STANDARD SPECIFICATION:

- Metal construction and washerless ceramic disc valve cartridge
- 1.2 gpm (4.5 L/min) flow rate meets WaterSense certification requirements
- Braided flexible hoses with 3/8" (10 mm) compression connectors
- Metal lever handle
- Brass push pop-up drain



### AVAILABLE FINISHES:

- |             |   |                      |
|-------------|---|----------------------|
| 7105121.002 |  | Polished Chrome      |
| 7105121.243 |  | Matte Black          |
| 7105121.295 |  | Brushed Nickel       |
| 7105121.GN0 |  | Brushed Cool Sunrise |

### CERTIFICATIONS:



- ADA
- WaterSense
- CEC Certified
- Low Lead Certified
- CALGreen Compliant
- Massachusetts Plumbing Board Approved
- Energy Policy Act of 1992
- NSF 372
- NSF 61
- CSA B125.1
- ASME A112.18.1
- Complies with lead plumbing laws

NOTE: Install this product according to the installation guide. ADA, CSA compliant when installed to the specific requirements of these regulations.

We reserve the right to make revisions without notice to product specifications. 12-05-2024

**US**  
Tel: 1.855.815.0004

For the most current Specification Sheet,  
go to <https://www.americanstandard-us.com>.

**Canada**  
Tel: 855.836.9615

For the most current Specification Sheet,  
go to <https://www.americanstandard.ca>.

PART OF **LIXIL**

7105121

## STUDIO S

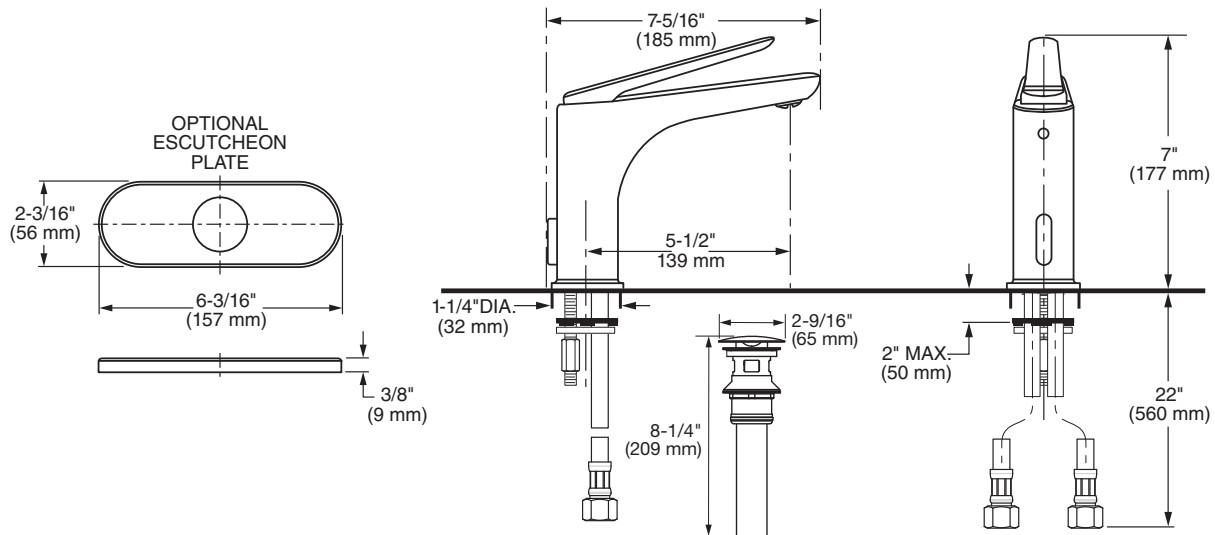
STUDIO® S SINGLE HOLE SINGLE-HANDLE BATHROOM FAUCET 1.2 GPM/ 4.5 L/MIN WITH LEVER HANDLE

*American  
Standard*

### TECHNICAL DATA:

Product Height	7 in (177.8 mm)
Product Length	7.38 in (187.45 mm)
Product Width	2 in (50.8 mm)
Fitting Spout Reach	7.05 in (179 mm)
Fitting Handle Height	7.05 in (179 mm)
GPM (Min)-GPM (Max)	1.2 GPM
Fitting No of Holes Required	1
Product Weight	3.913 lb 3.924 lb

### PRODUCT COMPONENTS:



NOTE: Install this product according to the installation guide. ADA, CSA compliant when installed to the specific requirements of these regulations.

We reserve the right to make revisions without notice to product specifications. 12-05-2024

**US**  
Tel: 1.855.815.0004  
For the most current Specification Sheet,  
go to <https://www.americanstandard-us.com>.

**Canada**  
Tel: 855.836.9615  
For the most current Specification Sheet,  
go to <https://www.americanstandard.ca>.

**PART OF LIXIL**