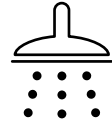
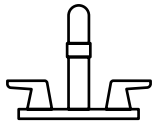


# American Standard



**American Standard is devoted to making life, in the heart of your home, better every day...**

...so, thank you for inviting us in! With the very best in kitchen and bathroom products, we are here to help make your life happier, healthier and simpler. Our commitment to quality, innovation and performance has made us part of your everyday routine for nearly 150 years, and we look forward to being a part of your life for many years to come.

**Learn more at [www.AmericanStandard.ca](http://www.AmericanStandard.ca)**

## **REGISTER WARRANTY**

Try the easy-scan **QR code** to quickly enter your information or find your product's detailed warranty here:



**[AmericanStandard.ca/support/warranty](http://AmericanStandard.ca/support/warranty)**

Registering allows you to keep your product information safe, and us the ability to contact you in the event of a product recall or *any* news about your purchase.

**And if ever you have a question or need help...?**

Call us at 1-855-815-0004

760425-100 (3/24)  
5256A65CL/5256B65CL



*American Standard*

# OWNERS MANUAL

## Universal Slow-Close Bottom Mount Toilet Seat



### INSTALLATION INSTRUCTIONS

Thank you for selecting American Standard - the benchmark of fine quality for over 150 years. To ensure this product is installed properly, please read these instructions carefully before you begin. Certain installations may require professional help.

#### INSTALLATION PREPARATION

- Please unpack carefully and identify all parts needed for installation by using the Box Contents page as a reference. Inspect the product and report any damages or missing parts immediately to customer care by calling (800) 442-1902. Follow the prompts for consumer/bathing. Local building codes vary by location. Observe all local plumbing and building codes.

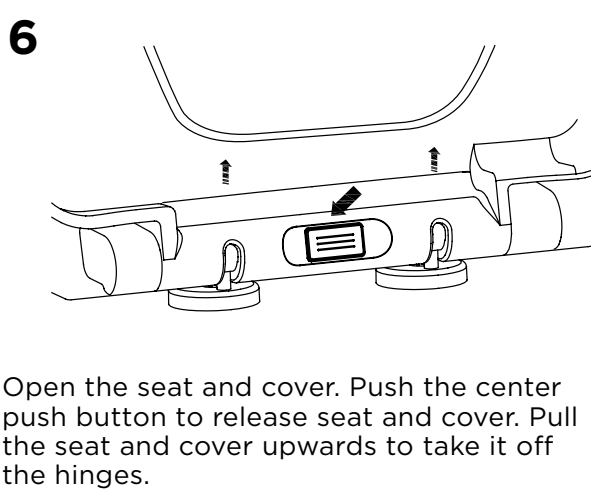
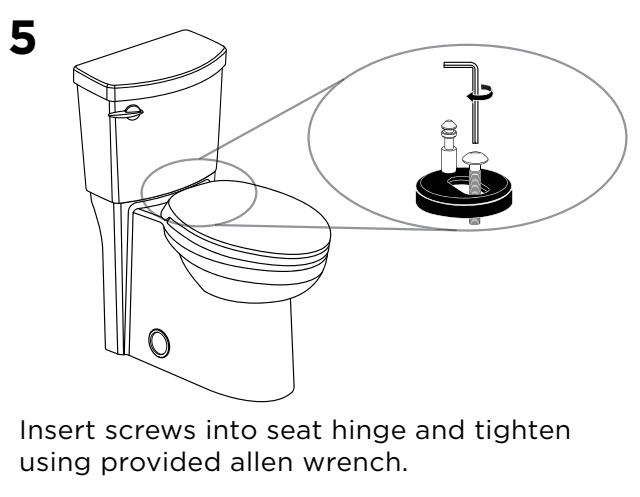
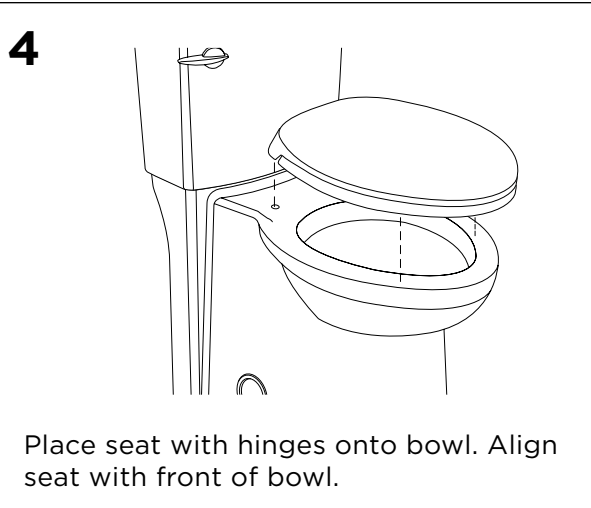
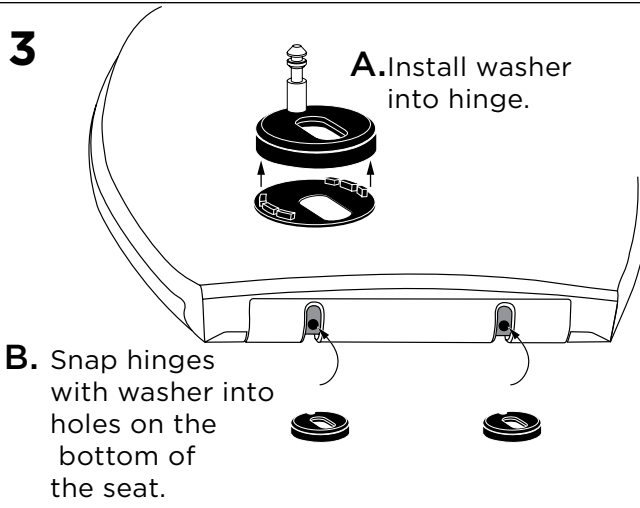
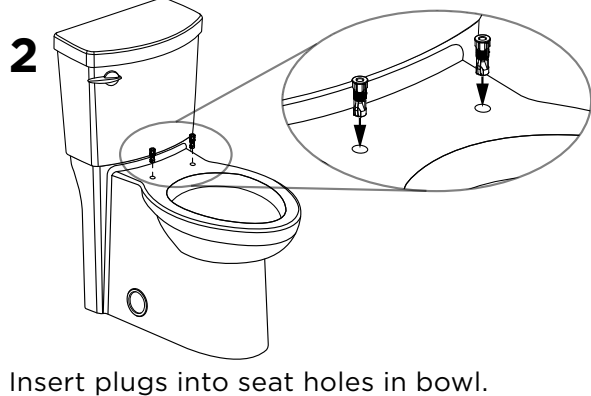
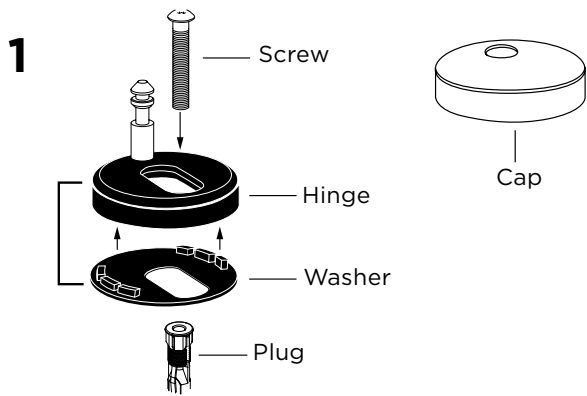
**NOTE:** Take extra care in handling the surface.

Use only non-abrasive cloths to avoid scratching.

- Wear protective equipment during installation to avoid injury.
- Please keep these instructions for after care and customer service details.

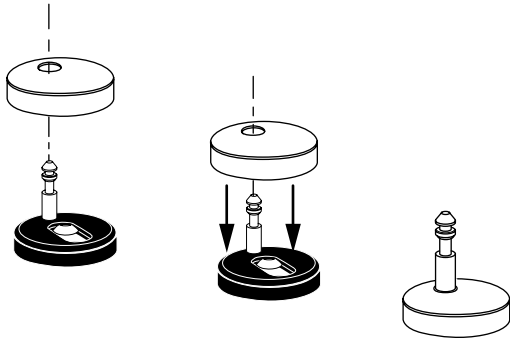
Image shown may vary from product purchased.

# INSTALLATIONS



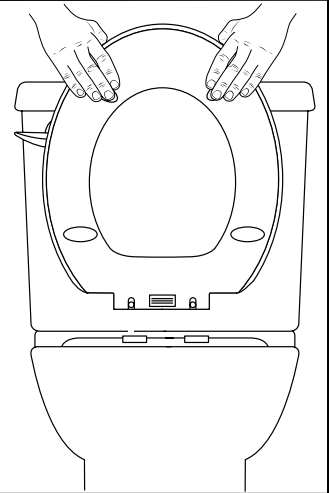
## INSTALLATIONS

7



Place the caps over the hinges.

8



Place seat back on bowl and click seat onto hinges.

## CARE AND CLEANING

When cleaning your toilet seat wash it with a mild, soapy water: rinse the seat thoroughly with clear water and dry with a soft cloth.

Avoid detergents, disinfectants, or cleaning products in aerosol cans. Never use abrasive scouring powders on your seat. Some bathroom chemicals and cosmetics may damage the seat's finish. After installation, check the tightness of the bolts from time to time to ensure a tight fit.

## REPLACEMENT KIT

PART NUMBER	DESCRIPTION
760141-100.0070A	Seat Hardware Kit# 266 Includes a set of seat bumpers and all hardware needed for installation of seats.

# TELL US WHAT YOU THINK!

Please leave us a product review or story  
at **AmericanStandard.com/reviews**

Find installation videos at  
**youtube.com/americanstandard**

Register your warranty and sign up for an idea-filled newsletter at  
**AmericanStandard.ca/support/warranty**

## PLEASE COMPLETE AMERICAN STANDARD WARRANTY REGISTRATION PROCESS AND SAVE THIS WARRANTY INFORMATION IMPORTANT:

Registration of the seat must be completed for this warranty to become effective. Your registration will make it easier to contact you in the event of a product recall.\*

**INSTRUCTIONS:** Register your seat at [www.americanstandard.com](http://www.americanstandard.com). Please save your proof of purchase (sale receipt). If you need assistance or do not have access to our website, please contact American Standard Customer Care at: (800) 442-1902. An American Standard representative will assist in completing the warranty registration.

\*In California, your warranty rights remain intact even if you do not complete the registration process.



## SHARE YOUR NEW PRODUCT!

Tag us **@american\_standard** on Instagram  
and show us how your new product looks.

## ≡ WANT MORE INFO?

For questions or help call us at **855-815-0004**,  
or visit **AmericanStandard.ca**

### UNITED STATES

American Standard Brands  
865 Centennial Ave.  
Piscataway, New Jersey 08854  
Attention: Director of Customer Care  
For residents of the United States,  
warranty information may also be  
obtained by calling the following  
toll free number: (855) 815-0004  
[www.AmericanStandard.com](http://www.AmericanStandard.com)

### CANADA

LIXIL Canada, Inc.  
5900 Avebury Rd.  
Mississauga, Ontario  
Canada L5R 3M3  
Toll Free: (800) 387-0369  
[www.AmericanStandard.ca](http://www.AmericanStandard.ca)