



PRODUCT FEATURES:

- **Self-Adjusting Sensor:** Sensor automatically sets the activation range on start-up by evaluating sink size and other factors. Will adjust range to adapt to changes in the bathroom environment.
- **Sensor in Spout Tip:** Clean, streamlined style. Hidden sensor reduces vandalism.
- **Hygienic, touch-free operation**
- **Adjustable Spout Reach:** Easily adjustable from 6" - 9" (from the wall to the outlet).
- **Self-Cleaning Solenoid Reduces Maintenance:** Integral wiper spring prevents clogging and run-on.
- **Easy to Service Integrated Strainer:** Patented in-line strainer protects the solenoid from debris. Strainer is enclosed in removable debris cup for easy service.
- **Safety Timer:** Helps prevent vandalism by turning off the faucet if the sensor is blocked for 55 seconds.
- **Fail-Safe:** Faucet automatically shuts off upon loss of power or dead battery. Prevents costly excess water usage and potential flooding.
- **Lead-Free:** Faucet contains ≤ 0.25% total lead content by weighted average.

GENERAL DESCRIPTION:

Wall-mount electronic faucet with proximity operation. Vandal-resistant metal construction. Water pressure range from 20 - 120 psi. Single inlet. Includes flexible hose and exposed elbow for connection from the spout to the control box.

STYLE AND AERATOR OPTION:

■ **BASE UNITS (Does not include power supply)**

- T06B315** 0.5 gpm/1.9 L/min pressure compensating, vandal-resistant non-aerated spray.
- T06B316** 0.35 gpm/1.3 L/min pressure compensating, vandal-resistant non-aerated spray.

CONTROL BOX OPTION: (Required, must be purchased separately)

- 0000_STV** Control Box, Solenoid only, Single Inlet.
- 1070_TMV** Solenoid + Thermostatic 1070 Control Box, Dual Inlet.

POWER OPTIONS: (must be purchased separately)

- **PK00.CRP** CR-P2 lithium battery and holder. DC Battery Life - 192,000 cycles (4 years @ 4,000 cycles per month).
- **PK00.WRK** PWRX™ 10-Year battery pack and holder. Battery Life - 480,000 cycles (10 years @ 4,000 cycles per month).
- **PK01.PAC** Plug-In AC transformer and Single AC adapter. UL 1310, Class 2 certified. 6' long power cord. 100 - 240 VAC, 50/60 HZ.
- **PK01.HAC** Hard-Wired AC power supply and 10' extension cable. UL 1310, Class 2 certified. 2-piece plate-mounted power supply (electrical box by others). 120 VAC, 60 HZ.
- **PK01.MAC** Multi-AC adapter and 10" extension cable. One AC transformer can power up to 15 faucets and/or flush valves in a daisy chain configuration. **POWER SUPPLY NOT INCLUDED.**

ROUGH VALVE

- **R350** – Required for installation of all Serin wall-mount faucets.

■ **OPTIONAL Battery Back-Up**

- PK00.BBU** Allows AC powered faucets to continuously operate during a power failure.

RECOMMENDED SPECIFICATION:

Electronic, sensor-operated proximity lavatory faucet shall feature vandal-resistant brass body with wall-mount design. Single inlet. Adjustable spout reach from 6" – 9". Shall also feature a low energy use electronically operated solenoid valve with an in-line strainer, and microprocessor controlled proximity sensors. Shall meet ANSI A112.18.1 and ANSI 117.1 codes. Model shall be American Standard # R350 & T06B31_.

CODES AND STANDARDS

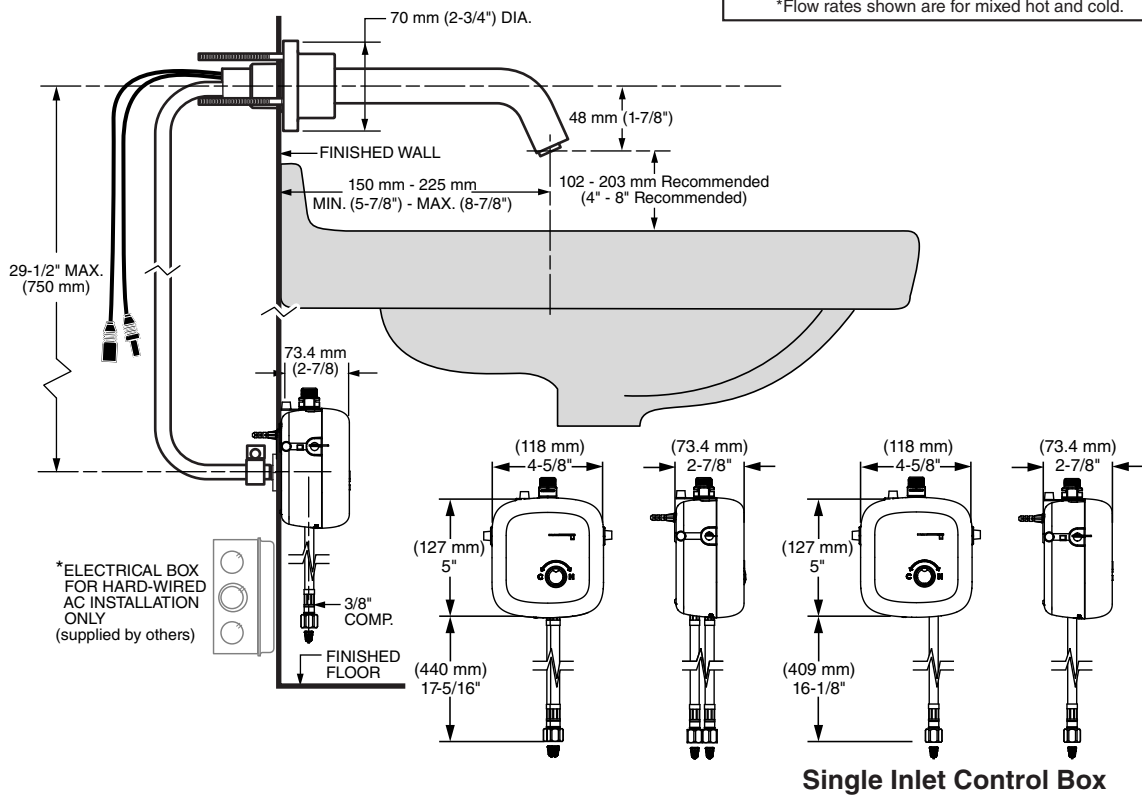
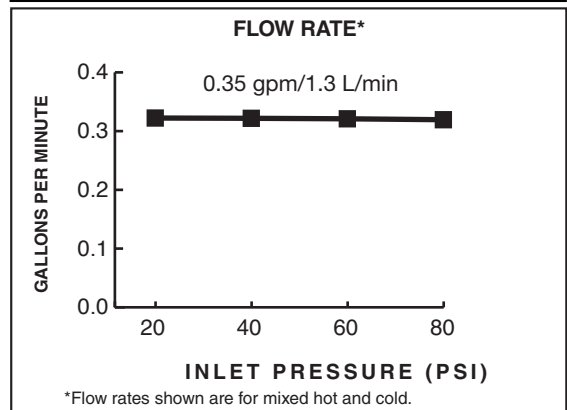
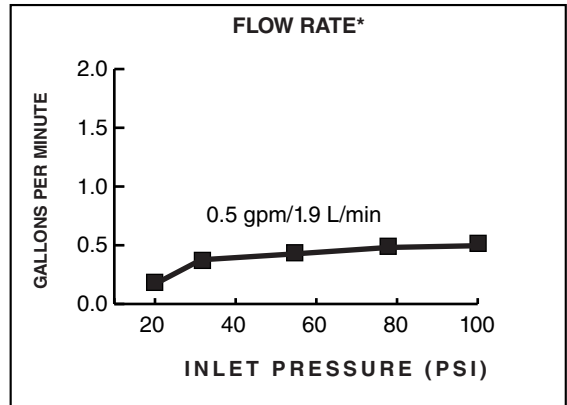
These products meet or exceed the following codes and standards:

- ANSI A117.1
- ASME A112.18.1
- CSA B125.1
- NSF/ANSI/CAN 61: Q<1
- NSF/ANSI/CAN 372



ADA Meets the American Disabilities Act Guidelines and **ANSI A117.1** Requirements for accessible and usable building facilities - check local codes

Finishes	
Polish Chrome	002
PVD Satin Nickel	295



Single Inlet Control Box