



PRODUCT FEATURES:

- **Touchless operation** limits the spread of germs for a safer restroom.
- **Flexible Selectronic Platform** with programmable, multi-function infrared sensor.
- **Easy & Flexible Installation:** Single post mounting with optional 4" & 8" deck plate. Water resistant solenoid enclosure mounts to wall.
- **Durable Vandal-Resistant Cast Body:** Ideal for high-use commercial applications.
- **Self-Cleaning Solenoid Valve:** Wiper spring prevents clogging
- **Easy to Service Integrated Strainer:** Patented integrated strainer protects solenoid from debris. Strainer is enclosed in removable debris cup for easy service.
- **Optional Auto Purge Feature:** Faucet can be programmed to open at a pre-determined time after last use to purge the faucet and water lines of stagnant water.
- **Safety Timer:** Helps prevent vandalism by turning off the faucet if the sensor is covered for 55 seconds or more. Timing is adjustable with optional remote control.
- **Adjustable Range:** Detection zone can be adjusted manually or with optional remote control.
- **Fail-Safe:** Faucet automatically shuts off upon loss of power or dead battery. Prevents costly excess water usage and potential flooding.
- **Lead-Free:** Faucet contains $\leq 0.25\%$ total lead content by weighted average.

GENERAL DESCRIPTION:

Electronic faucet with touchless infrared operation. Vandal-resistant metal spout with single post mounting. Water pressure range from 20 to 125 psi. Single inlet. 18" flexible inlet hose with 3/8" compression fitting for connection to control box.

RECOMMENDED SPECIFICATION:

Electronic, sensor-operated lavatory faucet shall feature a programmable, multi-function sensor and an electronically operated self-cleaning solenoid valve. Shall also feature a vandal resistant cast body with single inlet and in-line strainer. Shall meet ANSI A112.18.1 and ANSI 117.1 codes. Fitting shall be American Standard Model # 605B11_

STYLE AND AERATOR OPTION:

■ **BASE UNIT (Does not include power supply)**

- 605B115** 0.5 gpm/1.9 L/min pressure compensating, vandal-resistant multi-laminar spray.
- 605B114** 0.35 gpm/1.3 L/min pressure compensating, vandal-resistant multi-laminar spray. Faucet is factory set for 7.5 second running time to deliver 0.044 gpc/0.17 L per cycle.

CONTROL BOX OPTION: (Required, must be purchased separately)

- 0000_STV** Control Box, Solenoid only, Single Inlet.
- 1070_TMV** Solenoid + Thermostatic 1070 Control Box, Dual Inlet.

POWER OPTIONS: (must be purchased separately)

- **PK00.CRP** CR-P2 lithium battery and holder. DC Battery Life - 192,000 cycles (4 years @ 4,000 cycles per month).
- **PK00.WRK** PWRX™ 10-Year battery pack and holder. Battery Life - 480,000 cycles (10 years @ 4,000 cycles per month).
- **PK01.PAC** Plug-In AC transformer and Single AC adapter. UL 1310, Class 2 certified. 6' long power cord. 100 - 240 VAC, 50/60 HZ.
- **PK01.HAC** Hard-Wired AC power supply and 10' extension cable. UL 1310, Class 2 certified. 2-piece plate-mounted power supply (electrical box by others). 120 VAC, 60 HZ.
- **PK01.MAC** Multi-AC adapter and 10" extension cable. One AC transformer can power up to 15 faucets and/or flush valves in a daisy chain configuration. **POWER SUPPLY NOT INCLUDED.**

■ **OPTIONAL Battery Back-Up**

- PK00.BBU** Allows AC powered faucets to continuously operate during a power failure.

■ **OPTIONAL 4" or 8" Deck plates**

- 605P.400** 4" brass deck plate with 1/4" fixation studs and quick spin nuts. (6-1/8"x 2-1/8"x 1/2")
- 605P.800** 8" brass deck plate with 1/4" fixation studs and quick spin nuts. (10-1/8"x2-3/8"x1/2")

■ **OPTIONAL Remote Control**

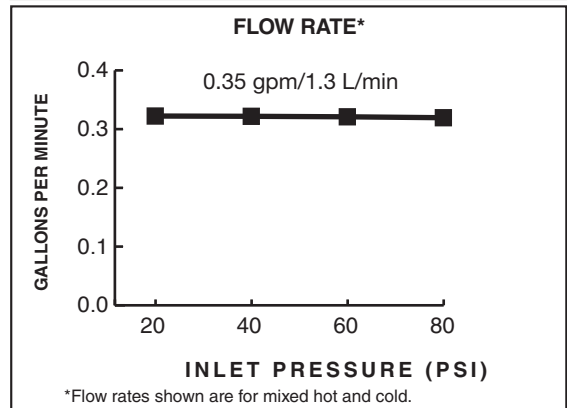
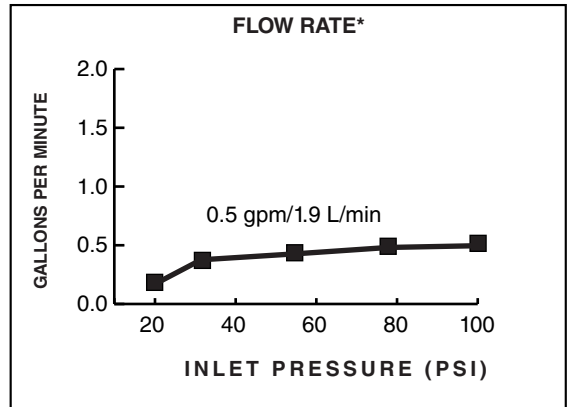
- 605XRCT** Adjusts setup parameters and allows for customization of functions. Can be used to program all Selectronic faucets.

CODES AND STANDARDS

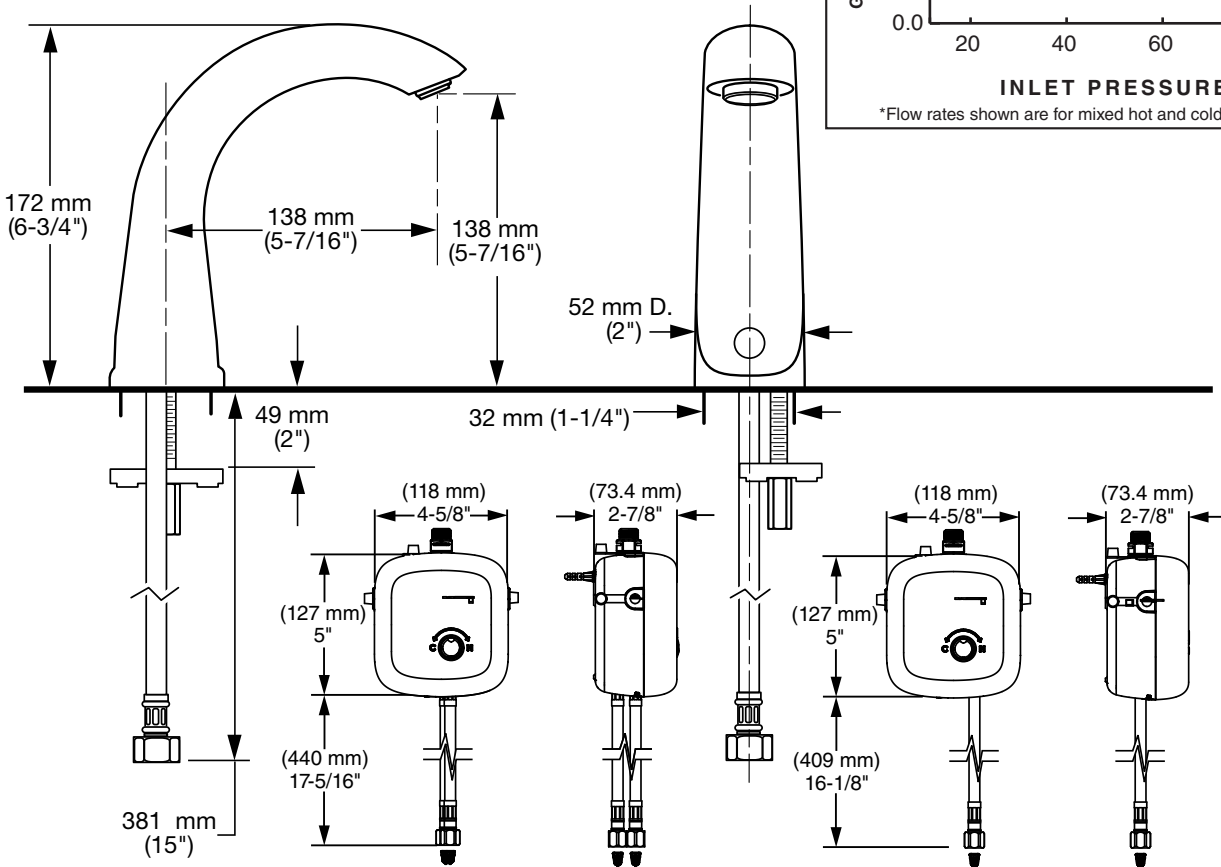
These products meet or exceed the following codes and standards:

- ANSI A117.1**
- ASME A112.18.1**
- CSA B125.1**
- NSF/ANSI/CAN 61: Q<1**
- NSF/ANSI/CAN 372**

CEC



*Flow rates shown are for mixed hot and cold.



Single Inlet Control Box

ADA Meets the American Disabilities Act Guidelines and **ANSI A117.1** Requirements for accessible and usable building facilities - check local codes

PART OF LIXIL